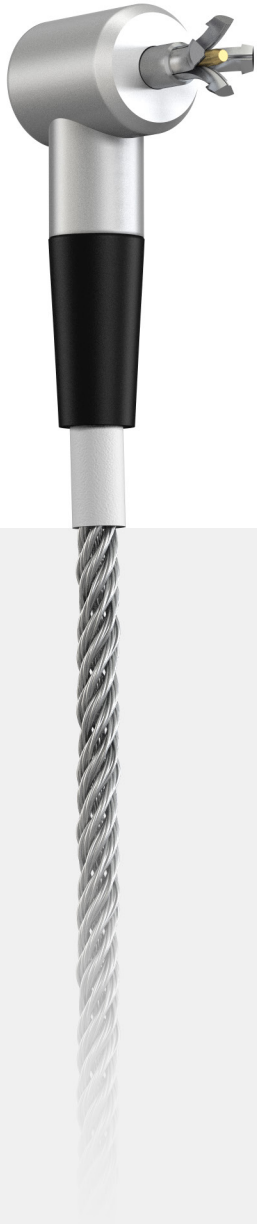


J-PLUG LOCK THE ULTIMATE CLAW

The patented universal 3.5mm Audio Lock.
Stock one security product, lock all devices.





UNIVERSAL 3.5MM AUDIO LOCK

The patented 3.5mm audio locking mechanism provides maximum security (538LB pulling force), without having to use a heavy/bulky traditional claw system.

STOP CUT & RUN. STOP GRAB & RUN

Equipped with an aircraft grade steel cable capable of handling "Cut and run" threats in excess of 494LB. Protected from "Grab and Run" attempts with a pulling force resistance in excess of 200LB.

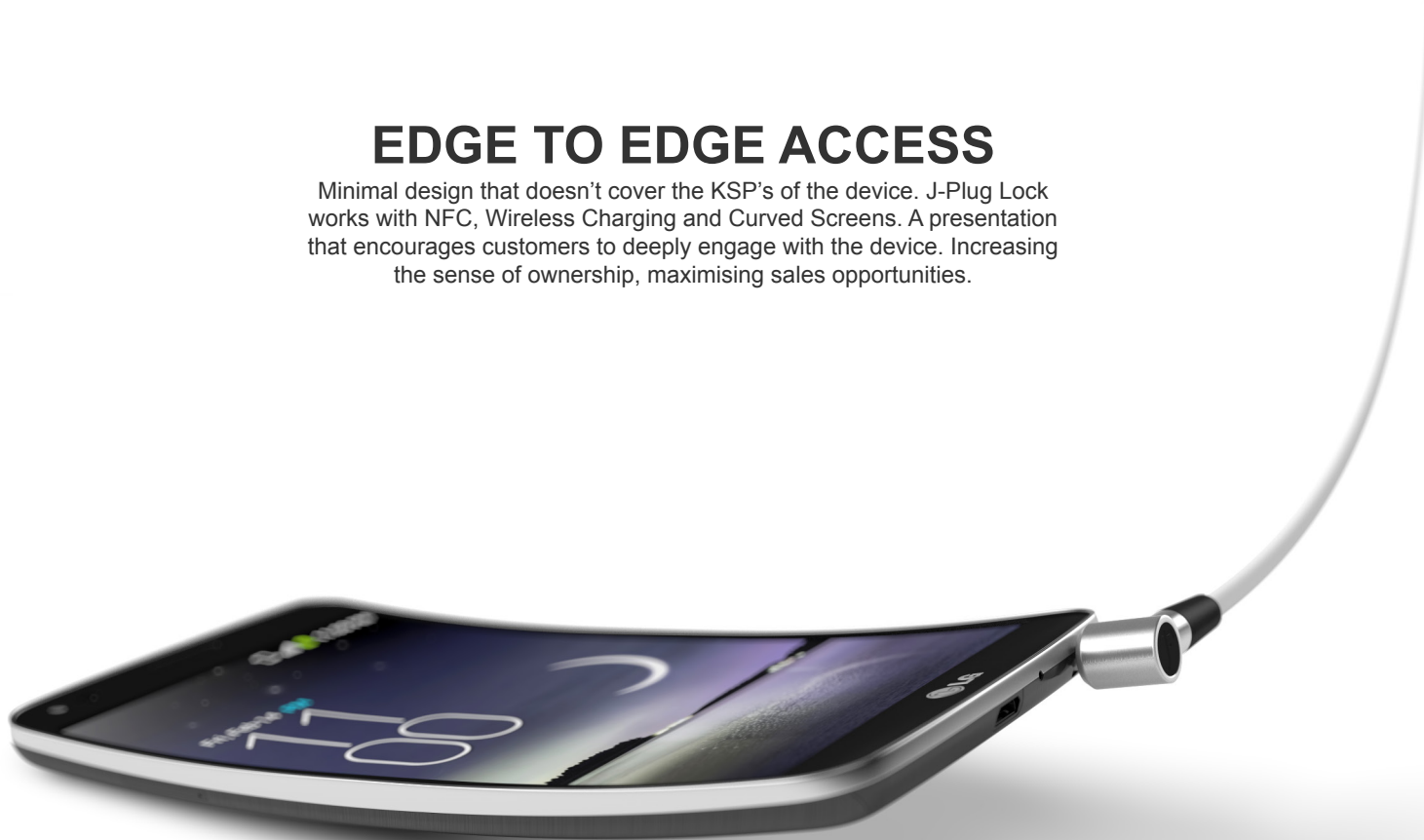
BEST “IN HAND EXPERIENCE”

Feel the “True weight” of the device. No heavy security retention or feeling of bulky security attachments.



EDGE TO EDGE ACCESS

Minimal design that doesn't cover the KSP's of the device. J-Plug Lock works with NFC, Wireless Charging and Curved Screens. A presentation that encourages customers to deeply engage with the device. Increasing the sense of ownership, maximising sales opportunities.



- A AUDIO JACK LOCK**
Stainless steel Jack fits into any standard audio socket, to provide a strong physical security connection to the device. Withstanding a concerted attack, to act as a first line of deterrent against theft.
- B AIRCRAFT GRADE STEEL CABLE**
Tough 7x7 aircraft grade steel cable.



ONE PRODUCT WORKS ACROSS ALL DEVICES

Simple to install and operate. Easy for staff to merchandise. Adapts to new devices without bespoke plates and arms.



MOBILE PHONES



TABLETS



LAPTOPS



SPEAKERS



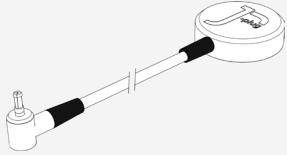
CONSOLES



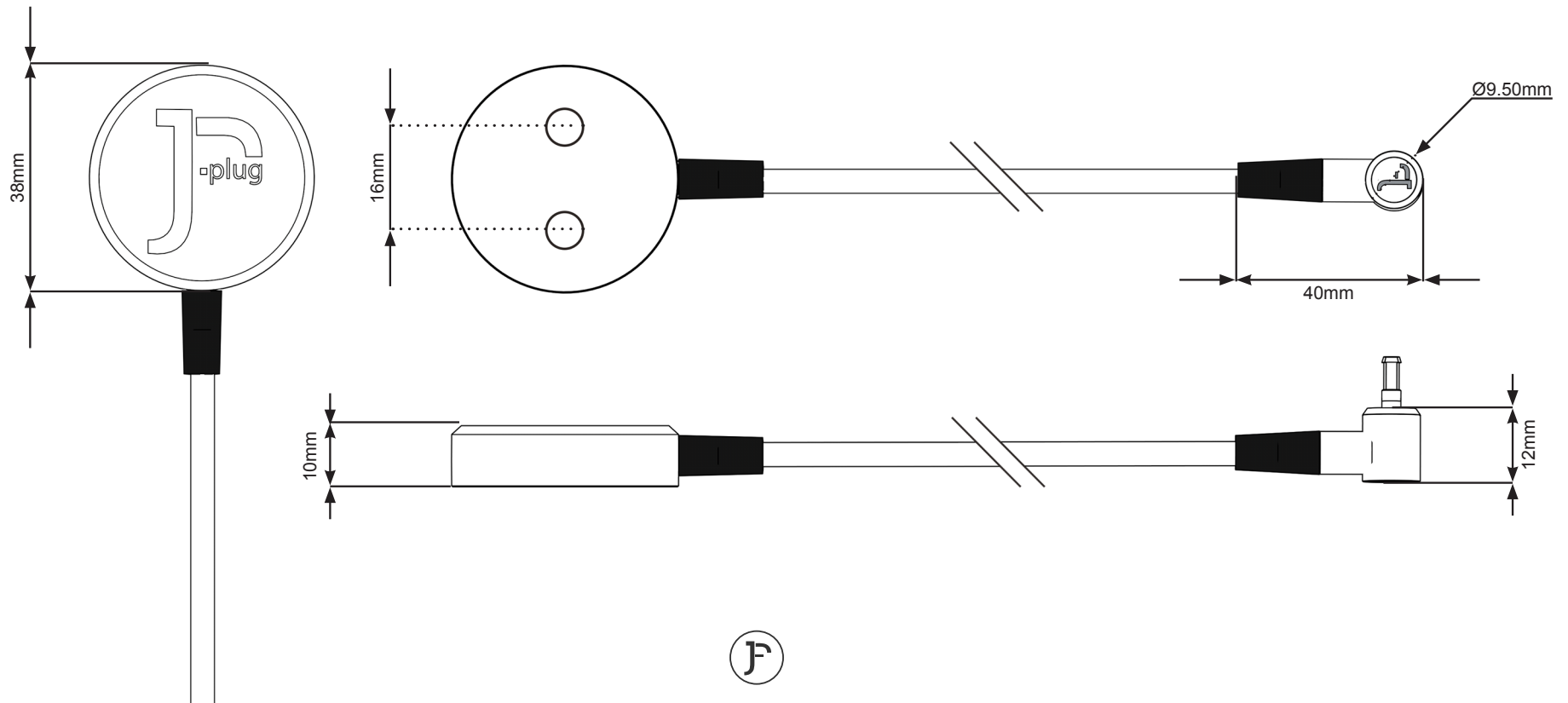
J-PLUG LOCK PARTS

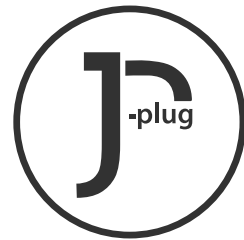
PART NUMBER	NAME	DESCRIPTION	QTY PER PACK
JLK-101-A-Y ○ JLK-100-A-Y ●	J-PLUG LOCK (600mm)	Simple mechanical security solution Secures any device with an audio socket. High security steel cable	1
JLK-104-A-Y ○ JLK-103-A-Y ●	J-PLUG LOCK (1000mm)	Simple mechanical security solution Secures any device with an audio socket. High security steel cable	1
APT-100-A-Y	Tetrakey	Security tool for J-Plug range.	1
APT-106-A-Y	Plastic Secure Pad	Plastic secure pad to adhesive J-Plug Lock cable onto devices and to be used with the J-Plug Stand.	1
APT-103-A-Y	Spare Kit	Metal slider, Slider pad, Camera Tetra screws and Silicon cap	2 of each
APT-108-A-Y	3.5 Distance Ring	Attach to 3.5 pin for bluetooth enabled devices.	50
APT-130-A-Y	Mounting Kit - Puck	M5 threaded lugs, washers and wing nuts	2 of each
AAP-102-A-Y	Secure Pad Adhesive	D38 Puck adhesive pack for the J-Plug range.	10



LOCK	WIDTH	HEIGHT	LENGTH
	38mm	20mm	600mm or 1000mm

PACKAGING	WIDTH	HEIGHT	DEPTH
	90mm	30mm	90mm





**SALES
ENQUIRIES**

Telephone: +44 (0) 20 8541 5671
Email: sales@multplx.com

**GENERAL
ENQUIRIES**

Telephone: +44 (0) 20 8549 4878
Email: info@multplx.com

