

## L . Care, Maintenance, Storage and Transport:



### WARNING!

Please follow these instructions to avoid risk of electric shock and/or short circuit.

- The product is self-service, i.e. users do not require assistance to recharge their device.
- Always disconnect the power cord from the main power outlet first.
- Do not clean the product until the unit is powered off and unplugged from the main power outlet. Once unplugged, clean using a dry or slightly damp cloth. Avoid using cleaning products and do not allow liquid to enter the device.
- Do not install in a location where a person could potentially trip on the power cord or the product.
- During care, maintenance, storage and/or transport, avoid places that are wet, humid or have a high temperature.
- Carefully read and abide by the Safety Instructions for care, maintenance, storage and transport.
- We recommend using the original packaging for transportation to protect the product from dust and humidity.

## M. Note on Waste Disposal:



In according to the European WEEE directive, electrical and electronic equipment must not be disposed with consumers waste. The consumer is committed by law to deposit electrical and electronic devices to public collecting for free. Particulars are regulated in national right.

The symbol on the product, in the manual or at the packaging alludes to these terms. With this kind of application of used devices you achieve an important share to environmental protection.

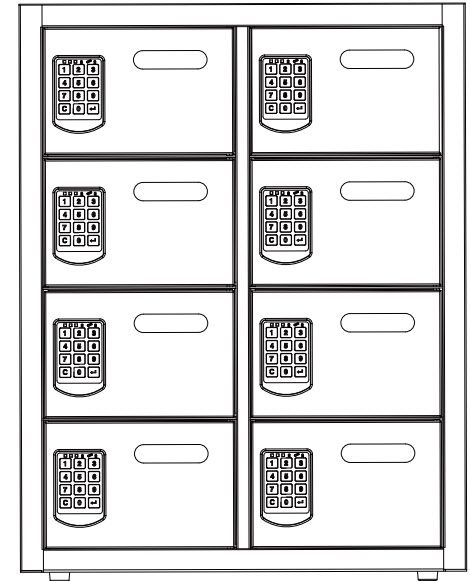


### ATTENTION!

Please read the user manual completely and carefully. It is part of the product and includes important information for proper installation and use. Keep this guide to have it available, hen there are uncertainties, or the product will be passed on.



## Secure Charging Locker Model: SCL-03R



## A . Descriptions and Functions:

Your SCL-03R is a cell phone Charging Locker.

Includes 8 bays for guests to store all their valuables.

It charges 24 devices simultaneously and works with all Apple, Android and other popular devices.

## B . Intended Use:



This product is for indoor use only in a dry area. Do not position in any location near water. Positioning this product outside, or inside in a location near water may cause damage or injury to persons or property. Please ensure you carefully read and abide by the 'Safety Instructions'.

## C . Package Contents:

1pc Charging Locker  
1pc Power Cord  
1pc User Manual

### Optional Floor Stand Set:

1pc Base Plate	1pc Supporting Board
1pc Extension Cable	1pc Pole (B)
1Set Screw (A)	1Set Expansion Bolt
1Set Screw (C)	1Set Screw (D)

## D . Specifications:

Model	SCL-03R
Input	100-240 Vac 60Hz
Power Output of Each Locker Box	5V/1.8A (Max)
No. of Locker Boxes:	8
Each Locker Box Contains 3 Charging Cables	

## E . Warranty and Liability:

- We grant a conditional 1 year warranty for this device and 6 months warranty on any consumable parts such as charging cables and batteries from the date of purchase. An extended warranty may also be purchased.
- The Warranty does not cover accidental damage or vandalism caused to the product.
- If any fault or damage is detected on your device, please contact us for troubleshooting. If the issue cannot be resolved remotely, we may request the product be shipped to the our office, at the customer's expense, to verify the fault or damage, along with a copy of the original purchase invoice.
- We are not liable for damage to persons or property caused by improper installation or operation not described in this guide. Any alteration and/or modification of the product or its accessories immediately voids the warranty.
- Any use other than described in this user manual is not permitted, And causes loss of warranty, loss of guarantee, and non-liability.
- We reserve our right for misprints and changes of the device, packing or user manual.

## F . Safety Instructions:



### ATTENTION!

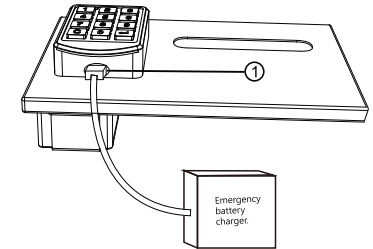
**We recommend a skilled electrician is used to assemble and disassemble the housing of the product to avoid risk of electric shock or electrical damage to the product.**

- This product is not a toy and should not be used by children at any time. It contains small parts which can be swallowed and cause serious injury.
- Ensure the product is assembled and installed in a way that prevents a person tripping over the power cable or the unit falling from its location.
- Please ensure the packing materials are disposed off completely to prevent injury to children (such as box cuts or swallowing insulation materials).
- Do not install in an area with high temperature, high humidity or areas where the charging station may come into contact with water.
- Do not install near air conditioners, or in areas with excessive dust, smoke or vibration.
- Do not modify or alter the product in any way. Any unauthorized modification or alteration will immediately void the Warranty.
- Do not use the product, or any parts, if they are damaged.
- All cables and adaptors should be connected and disconnected slowly and carefully.
- Ensure suitable packaging for transport of the product based on its 'Specifications'.

## K . Emergency:

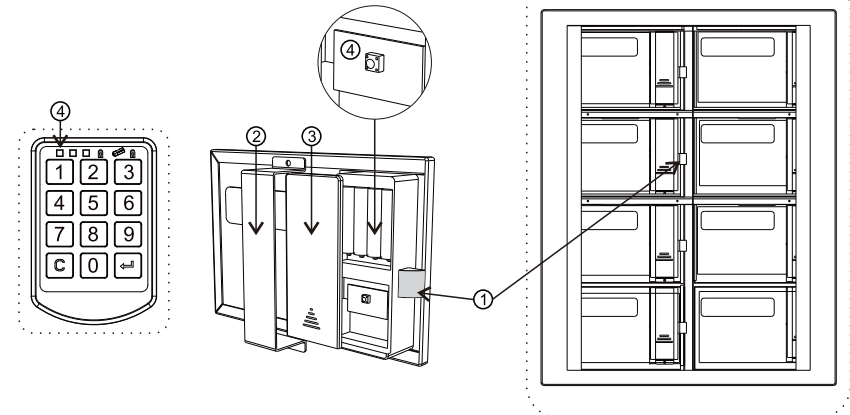
### A When out of battery:

- ① Use emergency power pack to supply electricity to the unit.




### B Forgot Admin Password:

- ① Open locker back door and back panel.
- ② Remove metal holder.
- ③ Remove battery cover.
- ④ Pass hold "Reset" button until the yellow LED flashes to restore defaulted pin code "00000000".



## J. Operation:

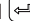

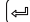
1. Put in AA battery x 4 to the Emergency battery charger.
2. Charge door locks at the bottom to activate the locker.
3. Type "00000000" and  Enter to unlock the pin code locker.

### Admin Pin Code

**Default Admin Pin Code "00000000"**

Admin Pin Code can be formed of 4 to 10 digits. It remains effective after power off.

### Change of Admin Pin Code

Press and hold  Enter for 5 seconds. > Yellow LED starts flashing. > Input old Admin Pin Code. > Press  Enter. > Input new Admin Pin Code. > Press  Enter to confirm. > Green LED light up and beeper sound to confirm.

**Don't forget your renewed Admin Pin Code! Otherwise, you may need to remove the back panel for emergency operation.**

**Your New Admin Pin Code:**

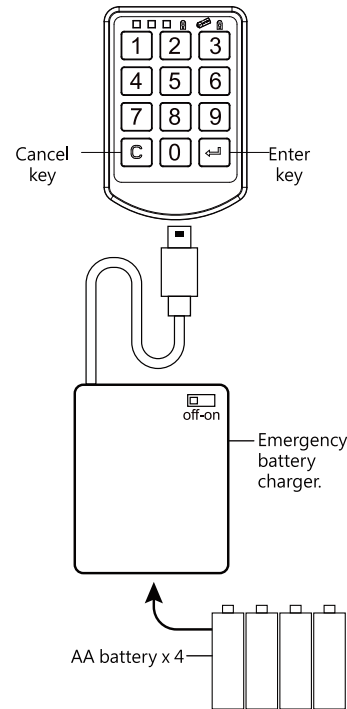
□ □ □ □ □ □ □ □ □ □

### Emergency lock open

1. When forgetting pin code. Please use Admin Pin Code to open the box.
2. When run out of battery, please use emergency power pack to supply electricity to the system.
3. Put in AA battery x 4 to the Emergency battery charger.
4. Charge door locks at the bottom to unlock the locker.
5. When system fail. Please open locker from the back of the unit.

### Pin Code Protection

When several pin code attempt failed. Yellow LED flash 4 times and the system will lock up for a minute.



### Low Battery Alarm

When RED flashes indicate the system could operate for another 100 times. Please change batteries soon.

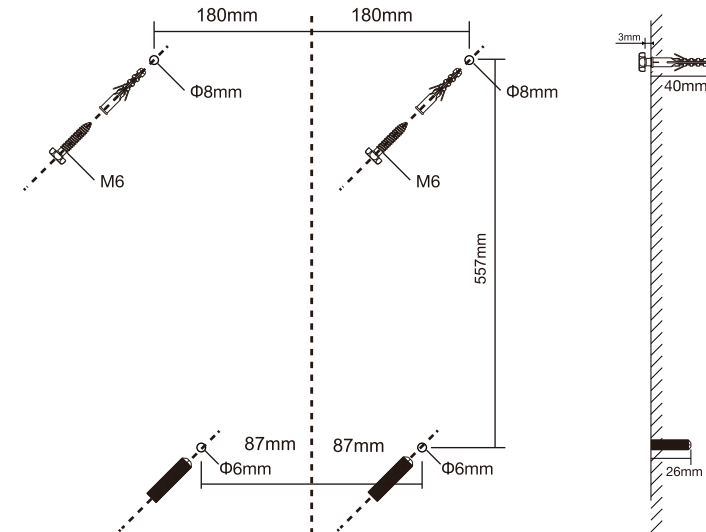
### Battery Compatibility

It has been identified that some of the battery design in a flatter Positive Terminal which might cause loose contact thus malfunction. **We recommend the use of Energizer branded battery.**

## G. Connect and Operate :

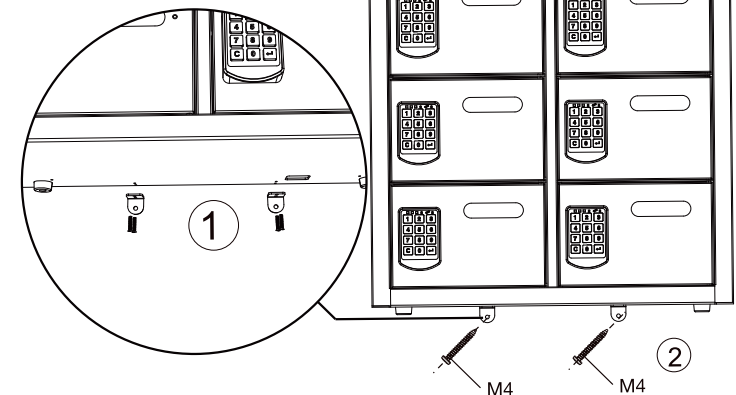
### A Mounting on the wall

Drill 2x  $\Phi 6$ mm holes & 2x  $\Phi 8$ mm holes on wall according to the drawing. Fix 2x expansion screws leaving 3mm off the wall.

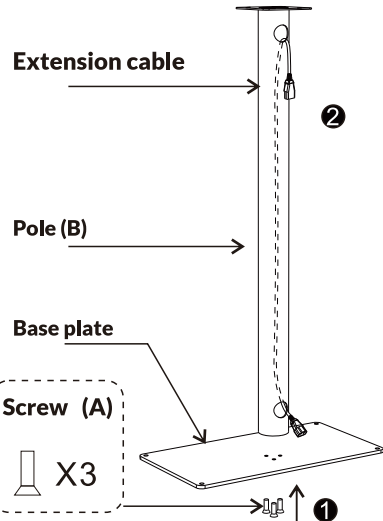


### A2

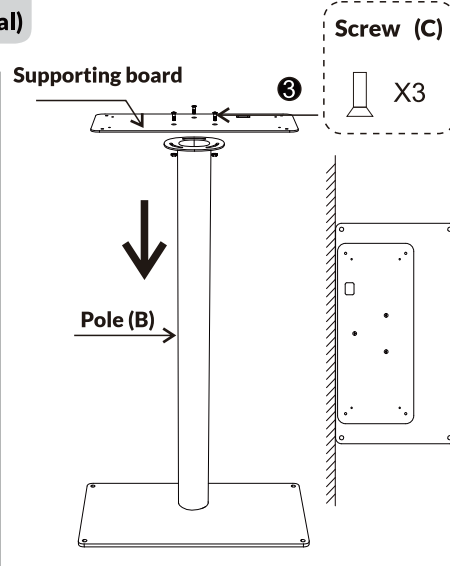
- ① Fix 2 x L metal pieces at the bottom with 4 x M3 screws.
- ② Hang the Locker onto the 2 x M6 screws. Fix the bottom 2 x M4 screws to secure the unit in place.



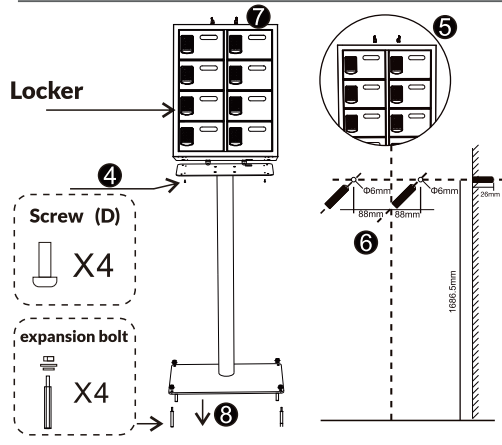
## B Install Locker on the Floor Stand (Optional)



- Secure tight pole (B) on base plate with 3X screws (A).
- Put extension cable thru pole (B).



- Fix supporting board on top of pole (B) with 3X screw (C) nuts. Adjust angle if necessary.



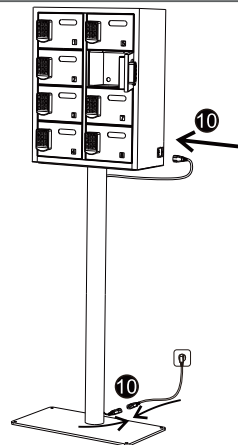
- Install locker on supporting board with 4X screw (D).

Option A: Fix product on wall

- Fix 2x L metal pieces at the top with 4x M3 screws.
- Drill 2 x 6mm holes on wall according to the drawing.
- Fix 2 x M4 screws to secure the unit in place.

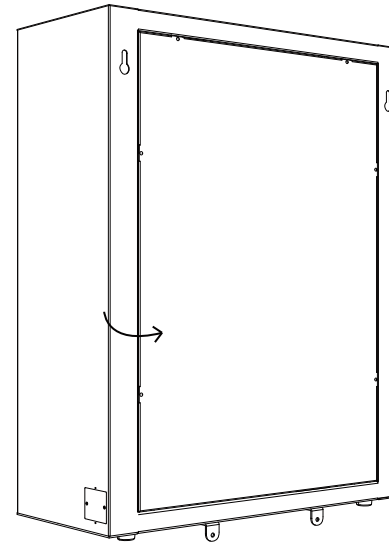
Option B: Fix product on ground

- Bolt base plate on ground if necessary with expansion bolt  $\varnothing$  12MM, 80MM long.

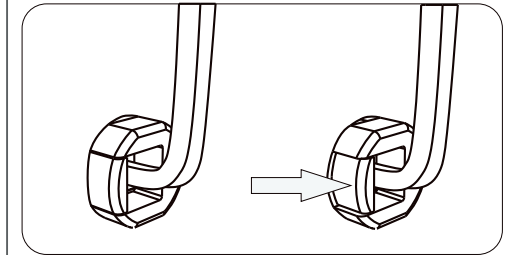


- Open the cabinet door, remove the metal holder and battery cover, install the batteries and reinstall the battery cover and metal holder.
- Connect power cord.

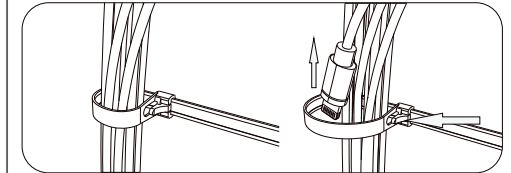
## H . Replacing Charging Cables:



- Open back door



- Open cable clamp by pushing the side piece toward inside



- Loosen cable tie by lifting the hook.

## I . Change of Battery:

- Remove metal holder.
- Remove battery cover.
- Replace new AAA batteries.
- Secure the battery cover and the metal holder back.

