



**UVISAN**

USER MANUAL

**UVCleantech**

[info@uvcleantech.com](mailto:info@uvcleantech.com)

[www.uvcleantech.com](http://www.uvcleantech.com)

+61 3 9028 4555

Recommended by



PORTABLE ELECTRONICS,  
TOOLS AND ACCESSORIES  
**CHARGING & DISINFECTION**

# CONTENTS

<b>Safety Guide</b>	<b>3</b>
<b>Features</b>	<b>5</b>
<b>Technical Data</b>	<b>6</b>
<b>Model Varieties</b>	<b>7</b>
<b>Controls and Programming</b>	<b>8</b>
<b>Setup of Device</b>	<b>10</b>
<b>Cleaning and Maintenance</b>	<b>11</b>
<b>Troubleshooting</b>	<b>12</b>
<b>Warranty</b>	<b>13</b>
<b>Appendix - Setting Charging Time</b>	<b>14</b>
<b>Appendix - UVC Digital Timer Programming Instructions</b>	<b>16</b>



# SAFETY GUIDE

## Working Environment:

**Uvisan products are designed to work in ambient temperatures (18-30 ° C). Do not operate the cabinets in the following environments:**

- Outdoor location
- In direct sunlight
- Wet/humid environment
- Unstable or uneven surface
- Near emergency exits or firefighting equipment

## Risk of Electric Shock or Fire:

- Do not expose the product or accessories to water or other liquids
- Liquids should not be stored inside this unit
- Do not place the product and accessories directly near a flame or heat source
- Do not insert items into the product vents or other openings
- Turn the power switch off before plugging/unplugging the cart
- Never plug in the cart if the switch, receptacles, or power cord are broken, cracked, or torn.
- Never plug into overloaded power outlets
- Connect the product only to tested branch circuits (with grounding and circuit protection).

# SAFETY GUIDE

## Safety Note:

- The charging cart must always be used by adults or under adult's supervision
- Never open the doors while the UVC lights are on
- Ensure casters are locked before opening cart doors
- Always latch doors before moving the cart.
- Do not use power cord to pull the cart or roll the cart over the power cord
- Any repairs should always be performed by a qualified electrician. Inadequate repair can create significant hazards to users and is not covered by the warranty

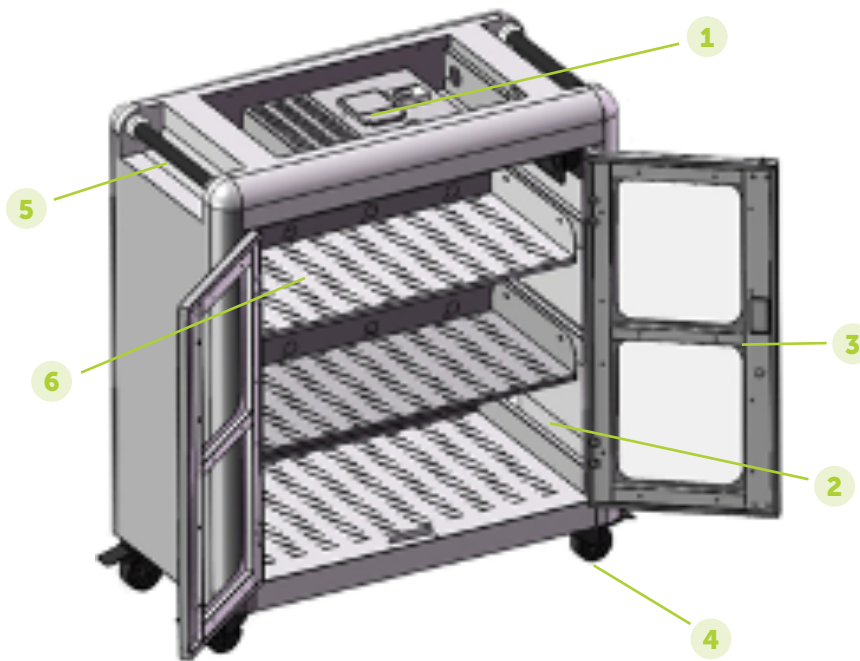
**We do not accept any liability for damage if the unit is misused, incorrectly operated or inadequately repaired. Under these circumstances the warranty is void**





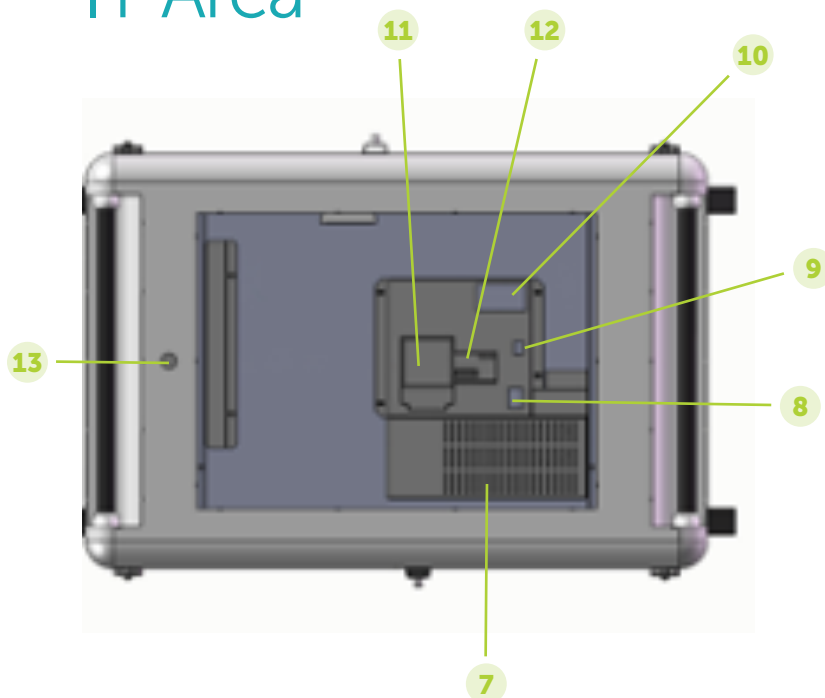
# FEATURES

## Main Structure



- 1 Top IT area
- 2 Storage shelf
- 3 Front doors with locking
- 4 Universal casters (2 lockable)
- 5 Ergonomic handle
- 6 UVC light

## IT Area



- 7 Power supply unit
- 8 Manual switch for USB charger
- 9 Power switch for cooling fan
- 10 UVC lights programmer
- 11 USB charger programmer
- 12 RCD and circuit breaker
- 13 Smartswitch for UVC cleaning cycle

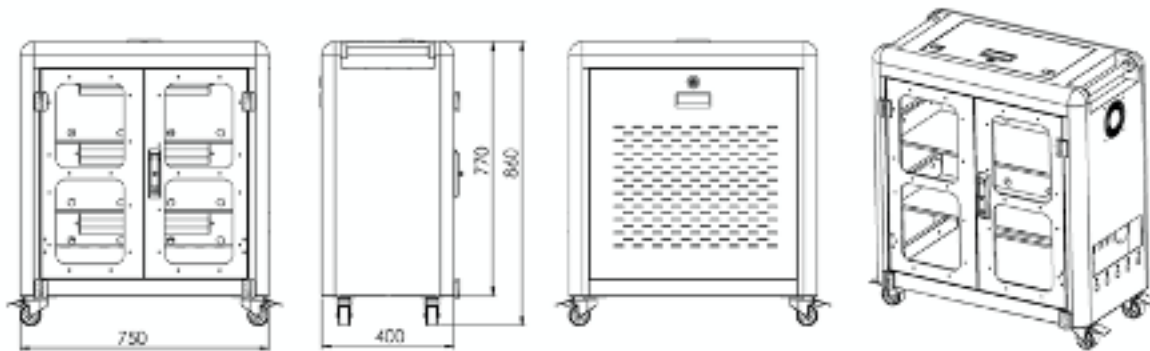
# TECHNICAL DATA

## Specification Table

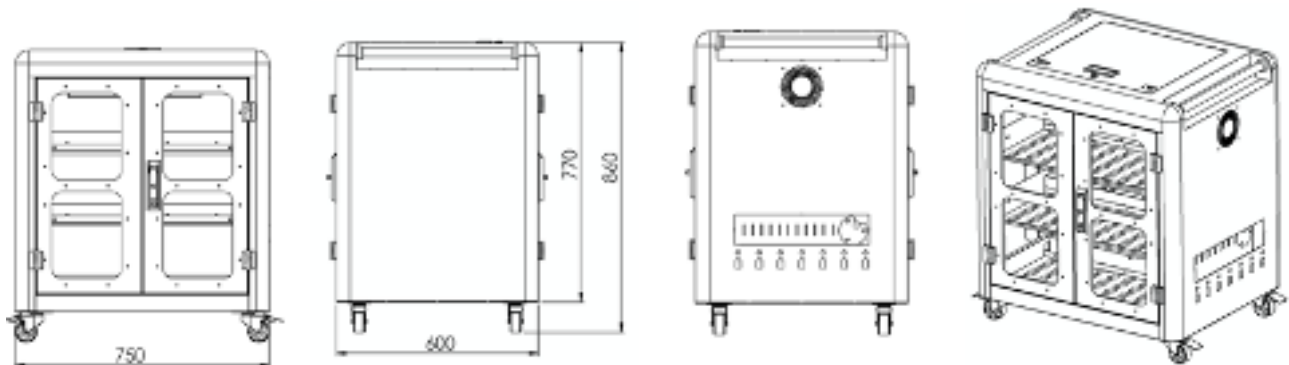
Model	VR12	VR20	VR30
Dimensions (LxWxH)	750 x 400 x 860mm	750 x 600 x 860mm	900 x 600 x 860mm
Charging Devices	Portable electronics and VR headsets		
Shelf Size	W: 600mm D: 250mm H:200	W: 600mm D: 250mm H:200	W: 600mm D: 250mm H:200
Doors	1x Double sided doors (front)	2x Double sided doors (front and back)	2x Double sided doors (front and back)
Max. Capacity: Tablets (on vertical racks)	30	60	75
Max Capacity: Laptops (13 inch)	6	12	18
Capacity (VR headsets)	12	20	30
Weight (kg)	55	75	82
Standard size of unit storage slot (L*W*H)	250 x 150 x 200mm		
Charging Port	USB charging ports		
Charging Protection	Leakage and short circuit protection module, over-charging protection		
Power System	INPUT:AC100-240V 50/60HZ(Based on different country standard)		
Rated power	200W	250W	330W
UVC disinfection	YES (254nm wavelength, low pressure UVC lamps)		
Power of UVC lamp	15W, one lamp for each layer		
Time-setting function	YES		
Cooling and ventilation	YES		
Casters	Four universal casters, two with locking functions		
Mobility	One-handle with ergonomic design and property chassis		
Security	3 point mechanism with locking in front doors, separate locking on top IT area		

# MODEL VARIETIES

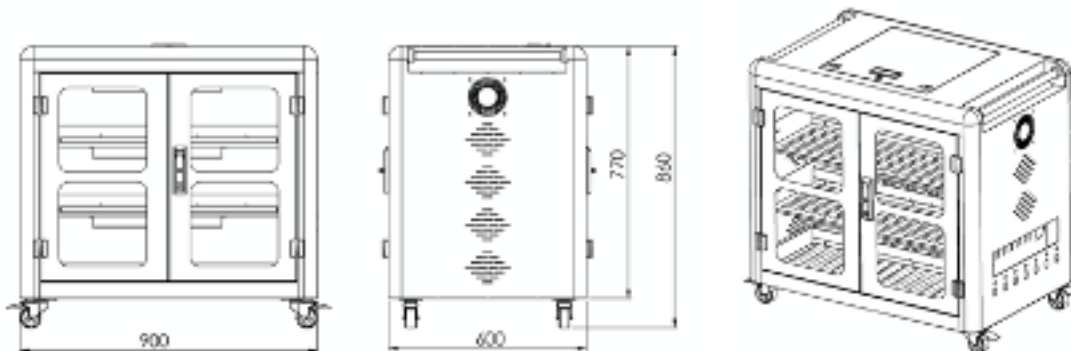
## VR12



## VR20



## VR30



# CONTROLS & PROGRAMMING

## UVC Disinfection Cycle

Cart is pre programmed for 2 minutes disinfection cycle, which is specifically design to deliver over 99.9% reduction of common bacteria and viruses. Disinfection cycle is initiated by start button (ref.: page 4 position 11)



**In order to start sanitization cycle the steps below need to be followed:**

- Open the door and place all items on cabinet selves. Please note that all items must be spread evenly, they cannot overlap, allowing a maximum UVC light exposure to all objects and surfaces.
- Plug all electronic devices to the charging cables/ports (if charging is required)
- Close and latch doors
- Press the start button
- When the sanitization cycle is completed, the UVC lights will automatically switch off.
- The doors now can be opened and all clean items can be removed

If the disinfection time needs to be changed, please follow the UVC Digital Timer Programming Instructions - Appendix 2 of this guide.

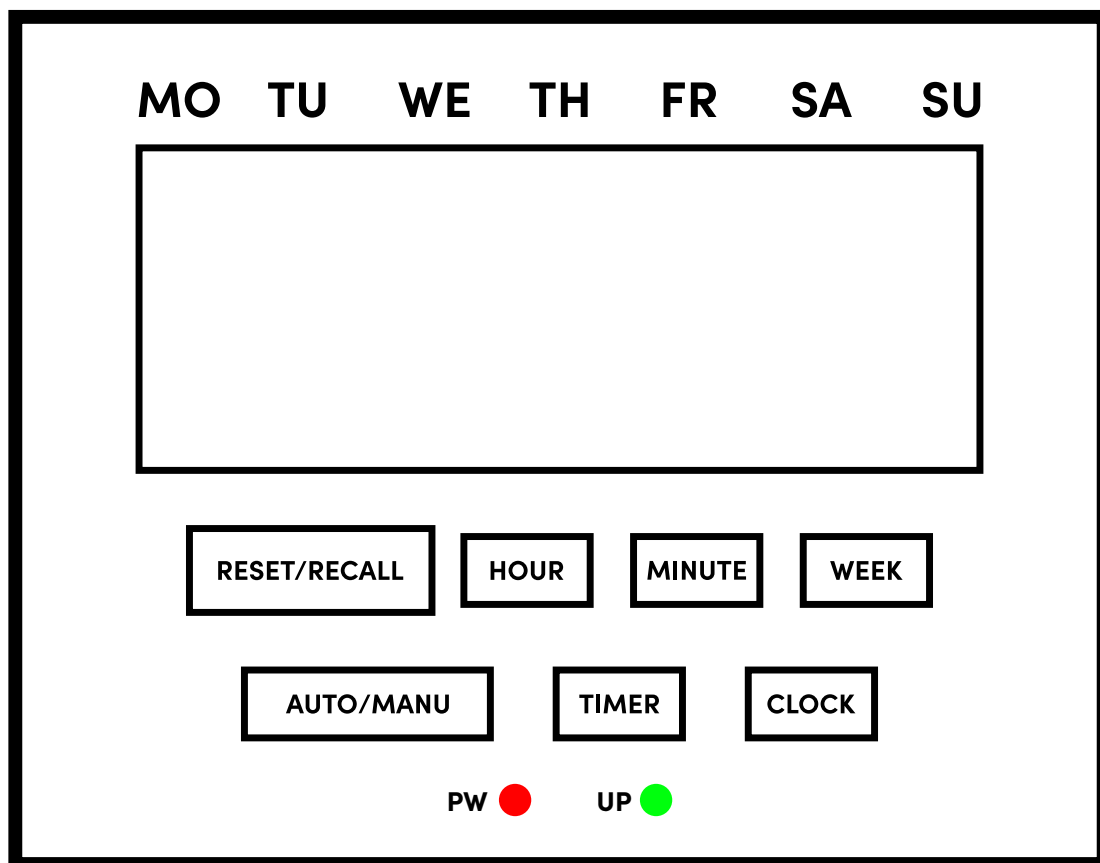


# CONTROLS & PROGRAMMING

## Charging Time Settings Functions

Charging time setting function is an optional feature, allowing users to setup specific charging time slots (7 days a week). Charging will only be activated during pre-set window. For detailed instructions please refer to Appendix 1 of this guide.

If application does not require charging time setup, please ignore this step. The charging points will be active every time cart is connected to the power outlet (this is a default factory setting).



# SETUP OF DEVICES

## VR12 Setup

- Remove the back panel from the sanitization/charging cart to allow access to the USB charging ports
- Starting from the top area of the cart, connect the charging cables for individual devices to the USB charging ports
- Pass the charging cables through holes on in the back panel and route them to the front of cart.
- Repeat the above process for connecting all devices' USB charging cables
- Place cart near a wall outlet and plug cart in
- Load and plug your devices into the cabinet
- Turn the power switch on (switch 6, IT area see page 4)
- Close the doors and setup sanitisation and charging cycle (as per 4.*Controls and programming*)

## VR20 & VR30 Setup

- Starting from the top area of the cart, connect the charging cables for individual devices to the USB charging ports (located in the middle of each shelf)
- Place cart near a wall outlet and plug cart in
- Load and plug your devices into the cabinet
- Turn the power switch on (switch 6, IT area see page 4)
- Close the doors and setup sanitisation and charging cycle (as per 4.*Controls and programming*)

# CLEANING & MAINTENANCE

- For a daily cleaning use a soft dry cloth, do not use abrasives or solvents.
- Check if rear access panel (VR12 only) is secured and locked
- Check power cord for any visual damage
- Check body of the cart for visual damage
- Avoid using the cart in dusty, dirty places
- Do not store the cart in low temperatures, it may produce condensation. If device is stored in cold place allow 24 hours transition to ambient temperature, before device can be safely connected to electricity
- Always move devices with care
- When not in use, unplug from then power outlet
- Always use the standard or licensed accessories. Unauthorized accessories, especially electronic components could damage the equipment circuits



# TROUBLESHOOTING

## *The devices are all plugged in, but won't charge?*

- Make sure cart's power cord is fully inserted into power outlet
- Check if the power button is ON
- Check if the safety switch is ON
- Refer the Appendix1 (Charging and Time Setting Instructions)

## *The UVC light does not work?*

- Make sure cart's power cord is fully inserted into power outlet
- Check if the power button is ON
- Make sure the UVC programmer is setup correctly
- Make sure the both doors are fully closed (there is a safety switch in the door opening)
- Make sure the safety switch is not visually damaged
- If none of above solve the problem contact:

[help@uvcleantech.com](mailto:help@uvcleantech.com)

## *The cart does not move?*

- Check the universal casters; make sure both locking mechanisms are disengaged.

# WARRANTY

- **Two years on main body and electronic system, one year on UVC bulbs. Plugs, cords are not warranted**

- **Limitations of Warranty.**

We make no warranties to any third party.

- **Disclaimer of Warranty**

Except as expressly provided otherwise herein and to the maximum extent permitted by applicable law, we disclaim all other warranties with respect to the product, whether express, implied, statutory or otherwise, including without limitation, satisfactory quality, course of dealing, trade usage or practice or the implied warranties of merchant ability, fitness for a particular purpose or non infringement of third party rights.

- **Limitation of Liability.**

In no event shall we be liable for indirect, incidental, special, exemplary, punitive, or consequential damages of any nature including, but not limited to, loss of profits, data, revenue, production, or use, business interruption, or procurement of substitute goods or services arising out of or in connection with this limited warranty, or the use or performance of any product, whether based on contract or tort, including negligence, or any other legal theory, even if we has advised of the possibility of such damages. Our total, aggregate liability for damages of any nature, regardless of form of action, shall in no event exceed the amount paid by you to us for the specific product.

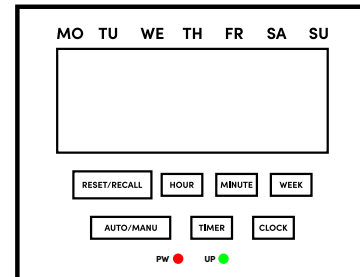


# APPENDIX

## Setting Charging Time

Charging time programmer is a device that allows precise charging intervals setup for the USB charging points inside the cart. Charging will only be activated during pre-set window and stay inactive outside of it. This function is commonly used for power saving purposes.

To setup the programmer please follow the instructions below.



**Connect the cart into the power outlet.**

### SETTING THE CLOCK

The clock needs to set according to the local time. Press the "CLOCK" button, and then press the "WEEK, HOUR, MINUTE" button to adjust the time.

### DEFAULT SETTINGS

The charging points will be active every time cart is connected to the power outlet (this is a default factory setting). Status "ON" will be displayed on the screen.

An automatic mode will enable power supply on the charging points only within given (pre-programmed) intervals. To change into an automatic mode press AUTO/MANU button until the display shows "AUTO".

### TIMER SETTINGS

Step 1	Press the "TIMER" key.	Enter the first group of timing on (display 1 <sup>ON</sup> )
Step 2	Press the "WEEK" key.	Working Mode: set the switch-on charging days (everyday, 5-days, 6-days, everyday different etc.)
Step 3	Press the "HOUR" and "MINUTE" key.	Set switch-on time (hour, minute)
Step 4	Press "TIMER" again.	Set the switch off time (display 1 <sup>OFF</sup> )
Step 5	Press the "WEEK" key again.	Working Mode: set the switch-off working days (everyday, 5-days, 6-days, everyday different etc.)
Step 6	Press the key "HOUR" and "MINUTE" again.	Set switch-on time (hour, minute)
Step 7	7 repeats step 1 to 6	Set other 2 to 10 groups of on-off time, if do not need set 10 groups, press "RESET" to clear the rest groups to "--:--"
Step 8	Press the key "TIMER "	Check whether each group of on-off time is correctly, press the key "RESET" and repeat of step 2 to 7 in case of error
Step 9	Press the key "AUTO/MANU "	Adjust "ON" or "OFF" to the state of "AUTO".
Step 10	Press the key "CLOCK	End timing setting and enter to the state of clock display.

# APPENDIX

## Setting Charging Time Continued

### CYCLE SETTING

Press "RESET/RECALL" and "TIMER" together for 3 seconds, and it begin to countdown setting, Press "WEEK" to determine the week, "HOURS" to hour,"MINUTE" to minute.

Press "AUTO/MANU" to start or pause the cycle (can adjust the time when pause)

Example:

If you want to charge the devices on 19:00, and stop charging on 08:00 next day.

- A. Follow the steps **1, 2, 3**, and make it display as Figure 1a;
- B. Follow the steps **4, 5, 6**, and make it display as Figure 1b;
- C. Follow the step **7**, and make each group 2<sup>on</sup> and 2<sup>off</sup>, 3<sup>on</sup> and 3<sup>off</sup> until 10<sup>on</sup> and 10<sup>off</sup>;
- D. Follow the steps **8, 9, 10** and adjust the work mode to the state of "AUTO".



Fig1 a

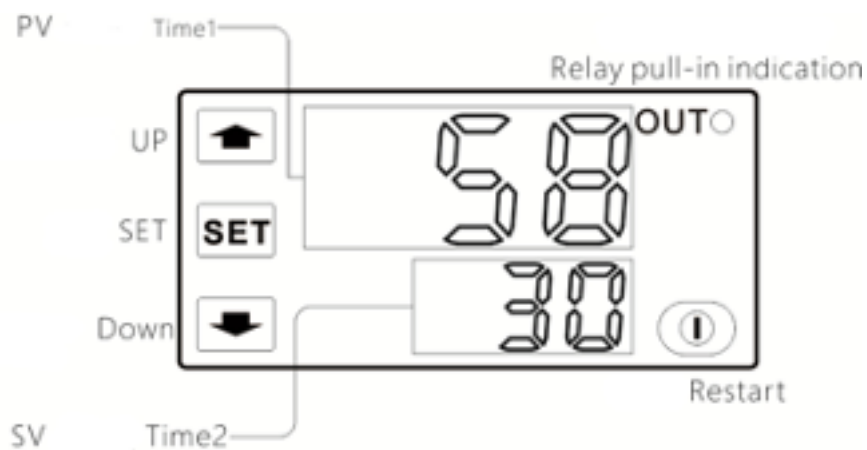


Fig1 b

Button and Switch Functions			
CLOCK	the time display	Mo	Monday
TIMER	Program number setting	Tu	Tuesday
WEEK	Weekday setting	We	Wednesday
HOUR	Hour setting	Th	Thursday
MINUTE	Minute setting	Fri	Friday
RECALL/RESET	Clear setting	Sa	Saturday
AUTO/MANU	Status selecting form	SU AM PM	Sunday

# APPENDIX

## UVC Digital Timer Programming Instructions



Time setting range: 0-999 hours 0-999 minutes 0-999 seconds

Reset: Hold the "SET" button and power on .

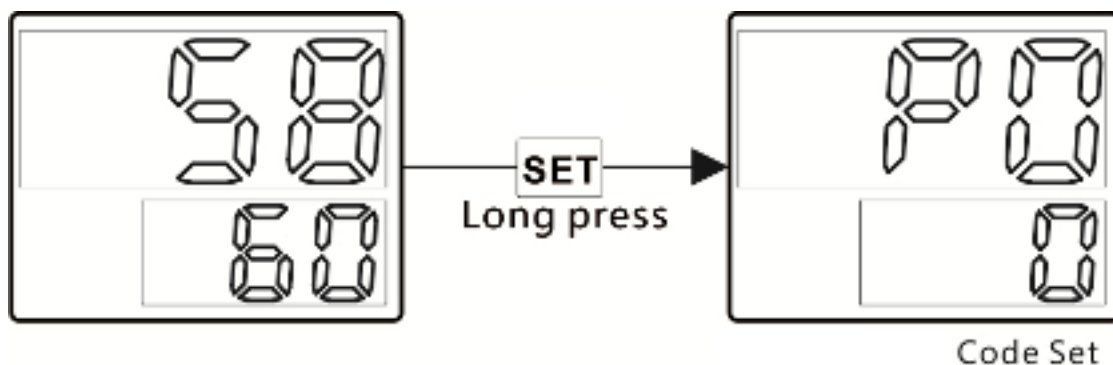
TIMER	Program number setting	Tu	Tuesday
WEEK	Weekday setting	We	Wednesday
HOUR	Hour setting	Th	Thursday

- P0=0: T1 timing mode is seconds
- **P0=1: T1 timing mode is minutes**
- P0=2: T1 timing mode is hours
- P1=0: The relay is closed after delaying T1 (T1 timing)
- **P1=1: The relay is released after delaying T1 (T1 timing)**
- P1=2: After the delay of T1, the relay is closed (T1 timing), and then after the delay of T2, the relay is released (T2 timing), and it ends.

# APPENDIX

## UVC Digital Timer Programming Instructions Continued

- P1=3: The relay is released after a delay of T1 (T1 timing), and after a delay of T2, the relay is closed (T2 timing), and it ends.
- P1=4: After the delay of T1, the relay is closed (T1 timing), and after T2, the relay is released (T2 timing), and the cycle is repeated.
- P1=5: The relay is released after a delay of T1 (T1 timing), and after a delay of T2, the relay is closed (T2 timing), and the cycle is repeated.



## Operation Guide

### Short press the SET button to enter the time setting mode

Adjust the timing T1 by pressing "↑" or "↓" button. After setting T1, short press the SET button again, the green light flashes, and press "↑" or "↓" button to set the timing T2, when it is set well, short press the SET button again, the system will automatically save the memory setting time or wait for 6s, the module will automatically save the data after 6s.

Double click the 'SET' button, when the red digital tube flashes, press the up/down button to set the corresponding time, single press the 'SET' button or waiting about 3 minutes to saving the setting.

### Long press SET (for 6 seconds) to enter the code setting mode.

There are two groups of parameters for users to choose, P0 and P1. In the current mode, short pressing SET button can switch the parameter groups between P0 and P1. In each mode, you can press "↑" button or "↓" button to adjust the working mode you need.

# APPENDIX

## UVC Digital Timer Programming Instructions Continued

### Example

If you need to setup lights for 6 minutes:

#### 1. Setting the time loops:

- Short press SET button to enter the top timer (timer will flash)
- Using arrows “↑” or “↓” set timer to 6
- Short press SET button to enter the bottom timer (timer will flash)
- Using arrows “↑” or “↓” set timer to 0
- Short press SET button to save the settings

#### 2. Setting the working mode:

- Press and hold SET button (6 seconds) until PO is displayed
- Using arrows “↑” or “↓” set PO=1
- Short press SET button until P1 is displayed
- Using arrows “↑” or “↓” set P1=1
- Short press SET button to save the settings

#### RESTORING THE FACTORY SETTINGS:

Press and hold SET and wait until the power on light turn green.