



9525 COMBINATION LOCK INSTRUCTION MANUAL

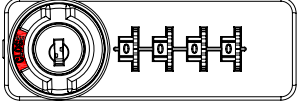
1. Lock & Unlock

1. ☹️ = CLOSE 

↓ ↓

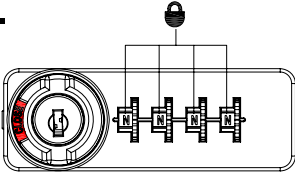
5. 😊 = OPEN 

1.

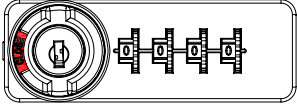


Turn the knob to close position

2.

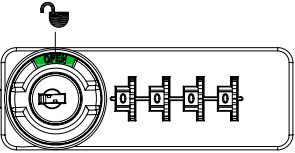


3.




input correct password to open

4.



Turn the knob to OPEN position

5.



OPEN


! Door open. But at OPEN position, you can not change password




Security Display Solutions
Secure your products

9525 COMBINATION LOCK INSTRUCTION MANUAL

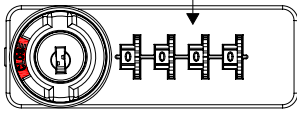
2. Password changing

6.  = 0|0|0|0

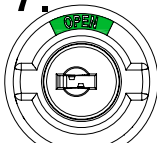
↓ ↓

10.  = 1|6|8|8

6. 0|0|0|0



Default password: 0-0-0-0

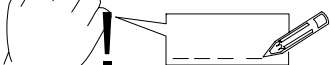
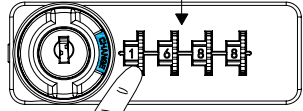
7.  **1.PERSONAL**
2.PUBLIC
3.CODE RESET

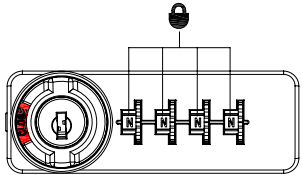
Front side Back side

Turn knob to "OPEN" position, and back side button to 2 PUBLIC mode

8. 1|6|8|8

Turn the knob to CHANGE position



9. 

10. 1|6|8|8 = ✓

! change your password



9525 COMBINATION LOCK INSTRUCTION MANUAL

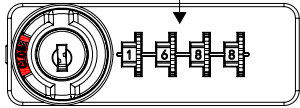
3. Password changing at private mode

11. 😐 = 1 | 6 | 8 | 8

↓ ↓

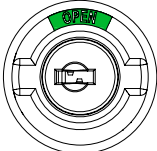
15. 😊 = 8 | 8 | 8 | 8

11. 1 | 6 | 8 | 8



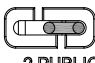
Current password: 1-6-8-8

12.



Front side
Turn knob to "OPEN" position,
and back side button to 2 PUBLIC
mode

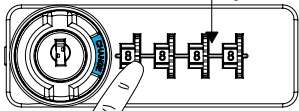
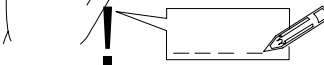
1.PERSONAL
2.PUBLIC
3.CODE RESET



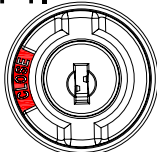
Back side

13. 8 | 8 | 8 | 8

Turn the knob to CHANGE position

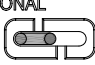



14.



Front side

1.PERSONAL
2.PUBLIC
3.CODE RESET



Back side

Turn knob to "OPEN" position, and back
side button to 1 PERSONAL mode

15.

8 | 8 | 8 | 8 = ✓

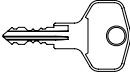
! Password can not be changed



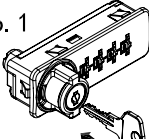
9525 COMBINATION LOCK INSTRUCTION MANUAL

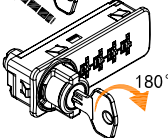
4. Password finding by emergency key

16. ☹️ = ○○○○ 3 5 7
9 6 4 7
0

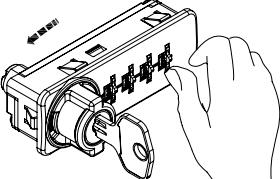
↓ + 

18. 😊 = ○○○○ 8 8 8 8

16. 16.1 

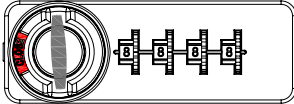
16.2 


17.



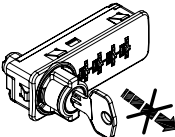
Turn the digit wheel one by one till wheel can not move

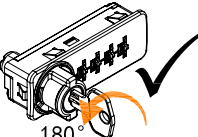
18.

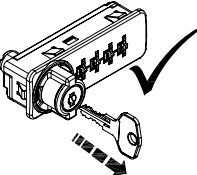


😊 = ○○○○ 8 8 8 8 ! 

19. !

19.1 

19.2 

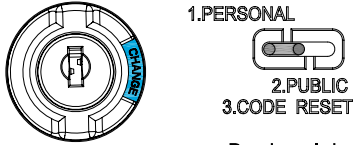
19.3 



9525 COMBINATION LOCK INSTRUCTION MANUAL

5. Password finding by emergency bar


20.

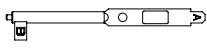



1. PERSONAL
2. PUBLIC
3. CODE RESET

Front side Back side

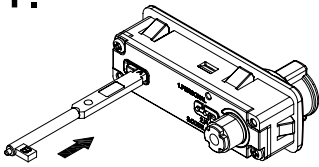
! at PERSONAL mode, password can't be found by emergency key

21. ☹️ = 

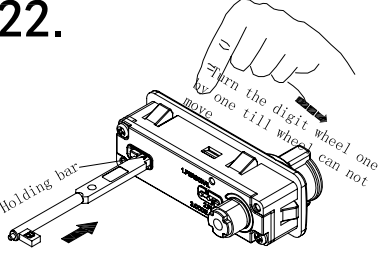
↓ + 

24. 😊 = 

21.



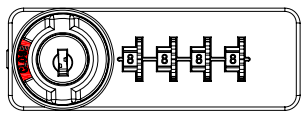
22.


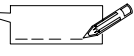


Turn the digit wheel one way or the other till wheel can not move

Holding bar

23.



😊 =  ! 

24.

