

# PILOT

8 Bay Charging Locker

Model: SCL-21

# Contents

<b>A . Descriptions and Functions:</b> . . . . .	<b>2</b>
<b>B . Intended Use:</b> . . . . .	<b>2</b>
<b>C . Package Contents:</b> . . . . .	<b>2</b>
<b>D . Specifications:</b> . . . . .	<b>2</b>
<b>E . Warranty and Liability:</b> . . . . .	<b>3</b>
<b>F . Safety Instructions:</b> . . . . .	<b>3</b>
<b>G . Connect and Operate:</b> . . . . .	<b>4</b>
<b>H . Replacing Charging Cables:</b> . . . . .	<b>5</b>
<b>I . Operation:</b> . . . . .	<b>6</b>
<b>J . Emergency:</b> . . . . .	<b>7</b>
<b>K . Connect Device with Wi-Fi:</b> . . . . .	<b>8</b>
<b>L . Update the System:</b> . . . . .	<b>9</b>
<b>M . Care, Maintenance, Storage and Transport:</b> . . . . .	<b>10</b>
<b>N . Note on Waste Disposal:</b> . . . . .	<b>10</b>

## M. Care, Maintenance, Storage and Transport:



### WARNING!

Please follow these instructions to avoid risk of electric shock and/or short circuit.

- The product is self-service, i.e. users do not require assistance to recharge their device.
- Always disconnect the power cord from the main power outlet first.
- Do not clean the product until the unit is powered off and unplugged from the main power outlet. Once unplugged, clean using a dry or slightly damp cloth. Avoid using cleaning products and do not allow liquid to enter the device.
- Do not install in a location where a person could potentially trip on the power cord or the product.
- During care, maintenance, storage and/or transport, avoid places that are wet, humid or have a high temperature.
- Carefully read and abide by the Safety Instructions for care, maintenance, storage and transport.
- We recommend using the original packaging for transportation to protect the product from dust and humidity.

## N. Note on Waste Disposal:



In according to the European WEEE directive, electrical and electronic equipment must not be disposed with consumers waste. The consumer is committed by law to deposit electrical and electronic devices to public collecting for free. Particulars are regulated in national right.

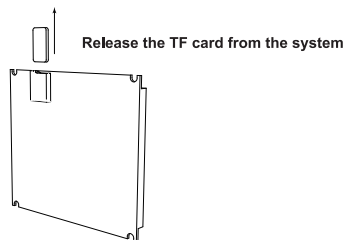
The symbol on the product, in the manual or at the packaging alludes to these terms. With this kind of application of used devices you achieve an important share to environmental protection.



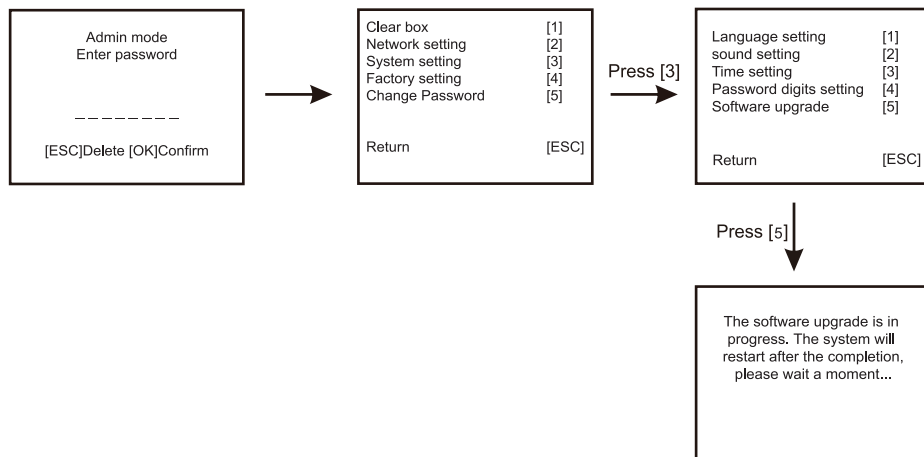
### ATTENTION!

Please read the user manual completely and carefully. It is part of the product and includes important information for proper installation and use. Keep this guide to have it available any time.

## L. Update the System



LCD Displays:



1. Unplug the power cable.
2. Release the TF card from the system
3. Copy the update file ' update.bin' from your computer to the
4. Reinstall the TF card.
5. Plug the power cable to start the system.
6. Go to admin mode > System setting [3] > Software upgrade [5]
7. The file will automatically update, it takes a minute time. return to the front page.
8. Job has done, You can go to the system setting again the che on the left corner.

NOTE:

- #Under normal circumstances, no software updates are required
- #Do not update with unconfirmed or third-party software to avoi

## A . Descriptions and Functions:

An innovative cell phone charging locker. Perfect for storing all valuables. It charges 8 devices simultaneously and works with Apple, Android and other popular devices.

## B . Intended Use:



This product is for indoor use only in a dry area. Do not position in any location near water. Positioning this product outside, or inside in a location near water may cause damage or injury to persons or property. Please ensure you carefully read and abide by the 'Safety Instructions'.

## C . Package Contents:

- 1pc Charging Locker
- 1pc Power Cord
- 1pc User Manual
- 2pcs Key
- 2pcs L-Shape metal piece
- 4pcs Rubber-Foot
- 1set Expansion Bolt(A)

Optional:

- 1set Screw(B)/(C)/(D)/(E)
- 1pc USB flash drive
- 1pc Base Plate
- 1pc Pole(A)&Pole(B)

## D . Specifications:

Model	SCL-21
Input	100-240 V / 60Hz
No. of Locker Boxes:	8
Power Output of Each Locker Box:	5V/2.1A (Max)
Each Locker Box Contains 3 in 1 cable	

## E . Warranty and Liability:

- We grants a conditional 1 year warranty for this device and 6 months warranty on any consumable parts such as charging cables and batteries from the date of purchase. An extended warranty may also be purchased.
- The Warranty does not cover accidental damage or vandalism caused to the product.
- If any fault or damage is detected on your device, please contact us for troubleshooting. If the issue cannot be resolved remotely, we may request the product be shipped to the our office, at the customer's expense, to verify the fault or damage, along with a copy of the original purchase invoice.
- We are not liable for damage to persons or property caused by improper installation or operation not described in this guide. Any alteration and/or modification of the product or its accessories immediately voids the warranty.
- Any use other than described in this user manual is not permitted, And causes loss of warranty, loss of guarantee, and non-liability.
- We reserve our right for misprints and changes of the device, packing or user manual.

## F . Safety Instructions:



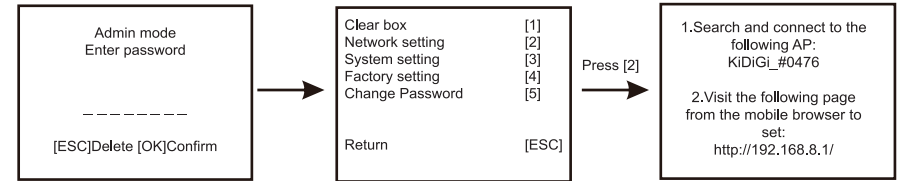
### ATTENTION!

**We recommend a skilled electrician is used to assemble and disassemble the housing of the product to avoid risk of electric shock or electrical damage to the product.**

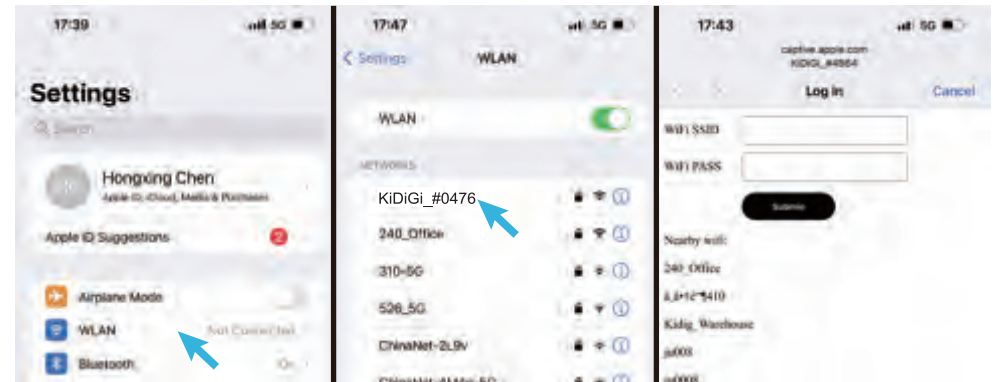
- This product is not a toy and should not be used by children at any time. It contains small parts which can be swallowed and cause serious injury.
- Ensure the product is assembled and installed in a way that prevents a person tripping over the power cable or the unit falling from its location.
- Please ensure the packing materials are disposed off completely to prevent injury to children (such as box cuts or swallowing insulation materials).
- Do not install in an area with high temperature, high humidity or areas where the charging station may come into contact with water.
- Do not install near air conditioners, or in areas with excessive dust, smoke or vibration.
- Do not modify or alter the product in any way. Any unauthorized modification or alteration will immediately void the Warranty.
- Do not use the product, or any parts, if they are damaged.
- All cables and adaptors should be connected and disconnected slowly and carefully.
- Ensure suitable packaging for transport of the product based on its 'Specifications'.

## K . Connect Device with Wi-Fi:

1. Press (79797979) to enter Admin Mode.



2.Use your phone for settings:



1. Press WLAN

2. Search your NETWORKS  
KiDiGi\_#0476

3. Enter your WiFi SSID and  
WiFi PASS

↓  
Network restart  
successfully

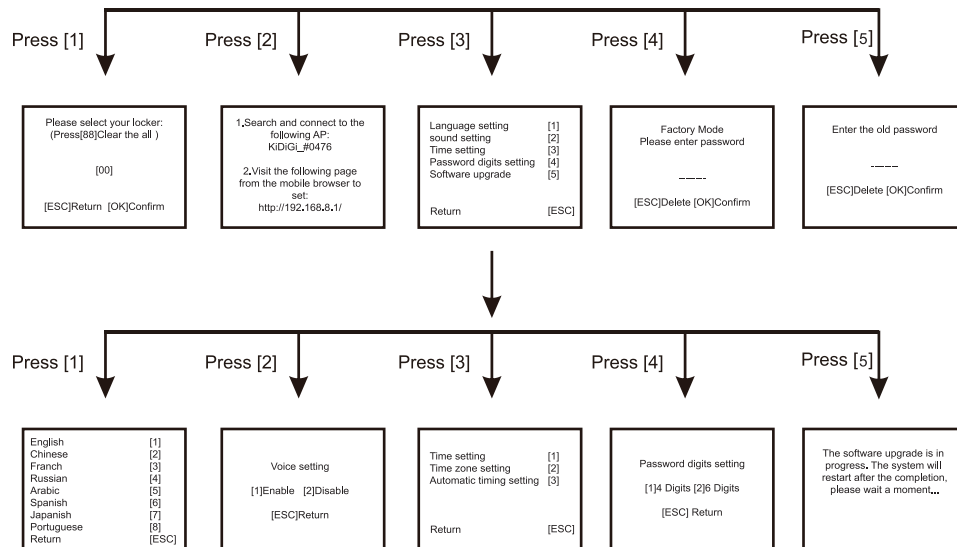
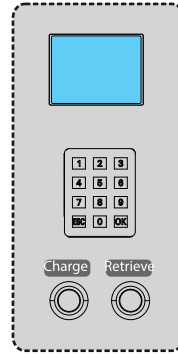
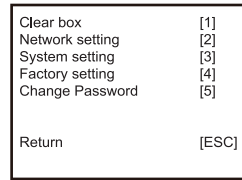
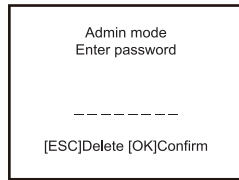
## P.S. :

**Forget Admin Password and Secure Remote Management System,  
Please contact with factory.**

## J. Emergency:

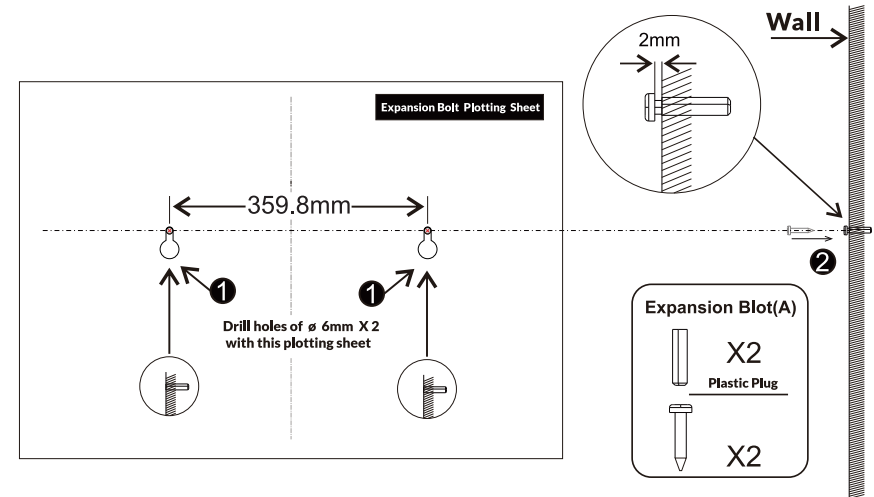
- Administrative Mode  
Set up of Admin Password,  
Press (79797979) to enter Admin Mode.  
(Default Admin Password: 00000000)

LCD Displays:

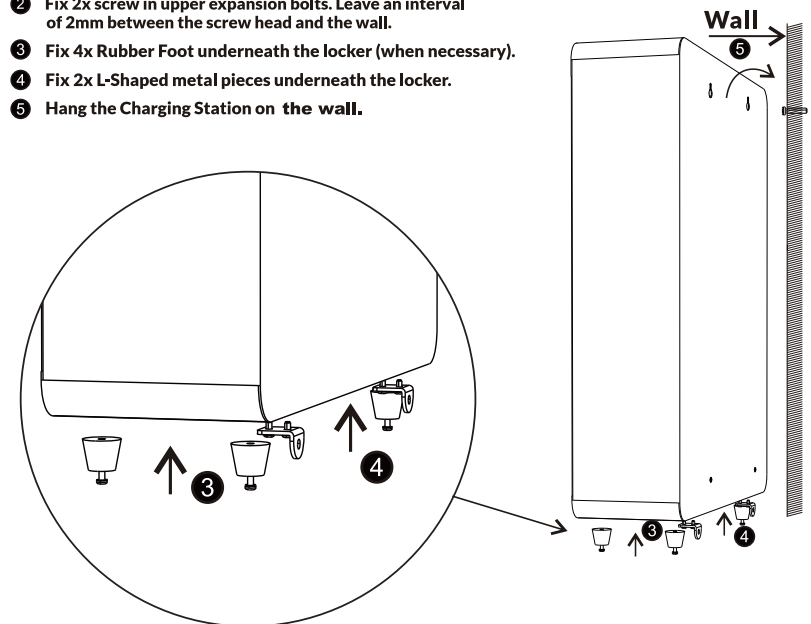


## G. Connect and Operate :

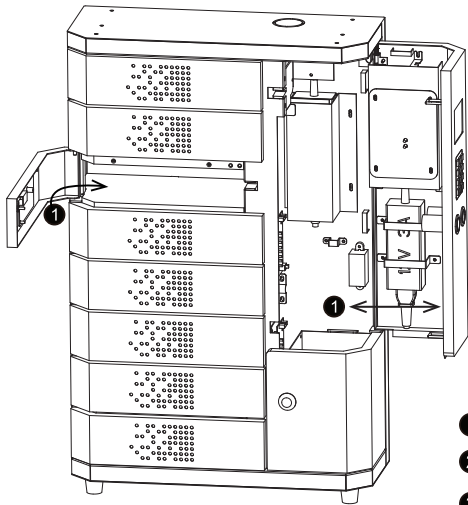
### I Mounting on the wall



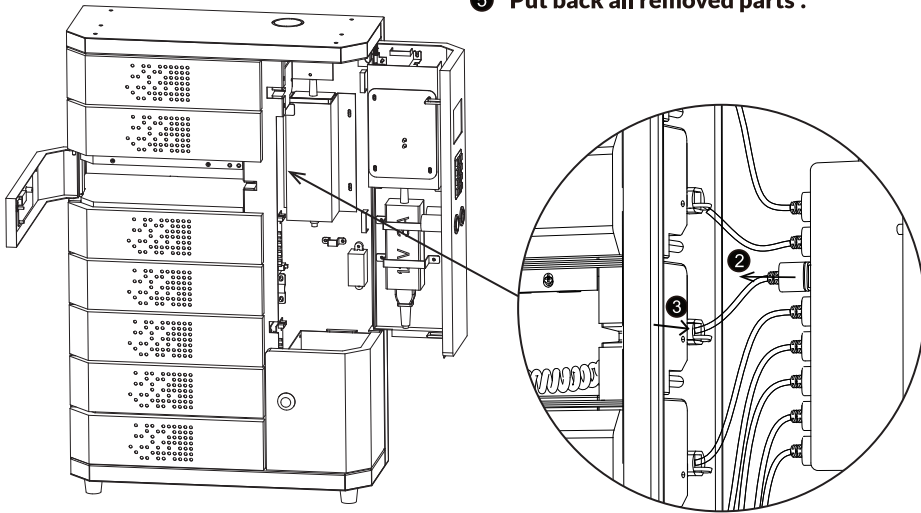
- Drill holes of  $\phi$  6mm X2 for expansion bolts according to the installation supplement sheet.
- Fix 2x screw in upper expansion bolts. Leave an interval of 2mm between the screw head and the wall.
- Fix 4x Rubber Foot underneath the locker (when necessary).
- Fix 2x L-Shaped metal pieces underneath the locker.
- Hang the Charging Station on the wall.



## H . Replacing Charging Cables:



- ❶ Open locker box door and the machine gate.
- ❷ Pull off the damaged charging cable
- ❸ Open cable clamp by pushing the side sliptoward inside
- ❹ Replace cable.
- ❺ Put back all removed parts .



## I . Operation:

### How to Store or Retrieve

