

QUICK START

JOEY 30 CART
JOEY 40 CART
(MK3)

VIDEO INSTRUCTIONS:

<https://vimeo.com/300883114>

Visit our website for detailed instruction.

www.lockncharge.com/support (International)
www.pclocs.com.au/support (AUS and NZ)



what's included?



x8*



x8*



x8*



x2



x2



x2



x16



x1



x1^



x1



x2



x40*



x1



x1



x2

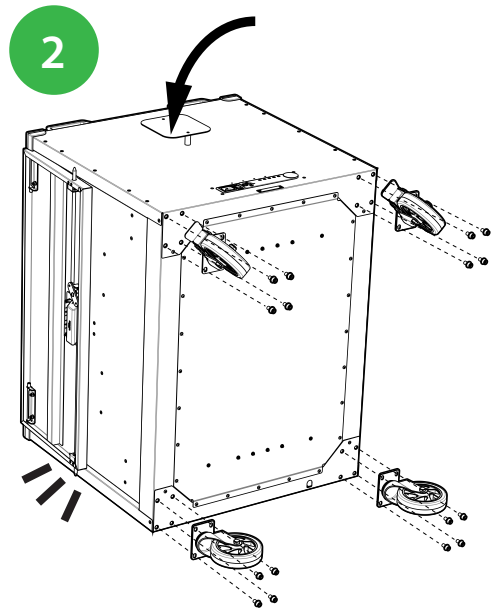
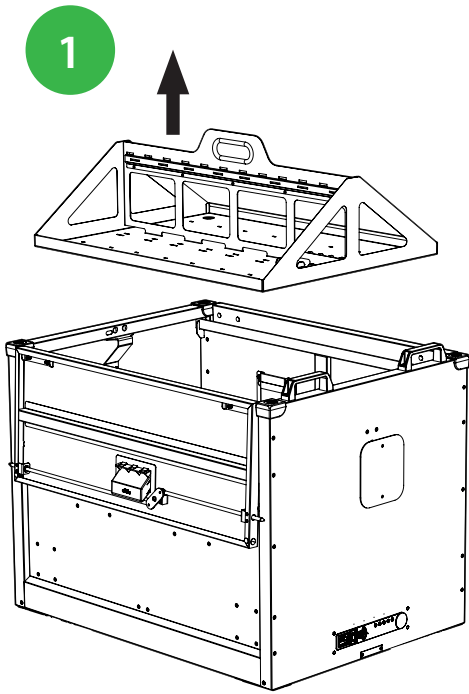
*USA and Japan Joey 40 only. Joey 30 comes with 6 baskets, 6 rack kits and 30 velcro cable straps. ^ USA and Japan only, UK and EU regions will have the power cord included with the PDU Kit.



pclocs



lockncharge



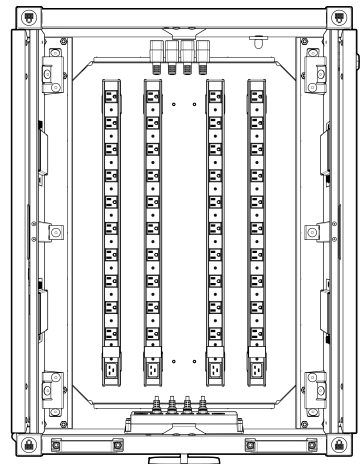
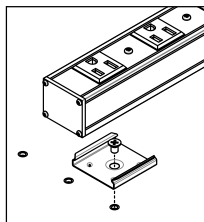
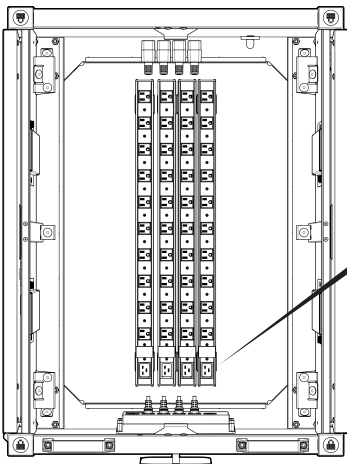
Use a piece of packing foam for protection when carefully laying down the cart

3



UK & EU customers will need to install the Power Distribution Units (PDU). See the manual 'Fitting Power Distribution Units (PDU) Kit'

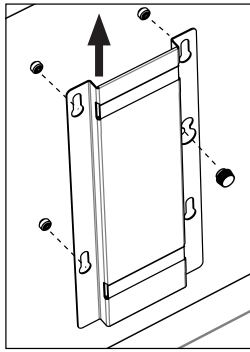
OPTIONAL FOR US CUSTOMERS THAT WANT TO RELOCATE THE PDU'S



Relocate Power Distribution Units as desired. Arrange devices' power adaptors in the base of cart

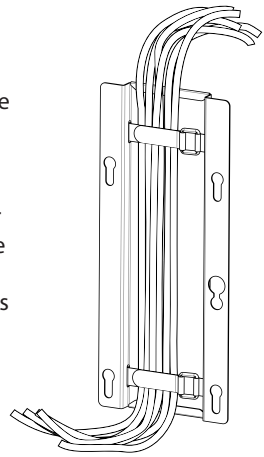
*Joey 40 MK3 (USA model) shown for illustration

4

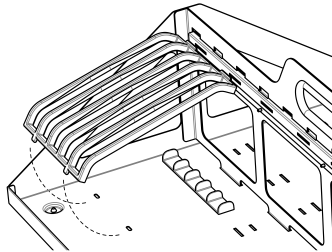
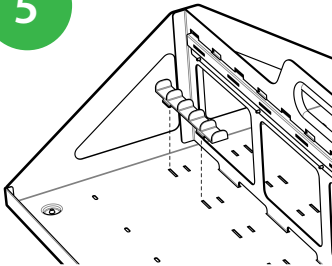


Loosen the thumbscrew and slide keyholes over the studs to remove the cable management cover.

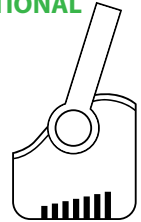
Connect the device power adaptors in the base of the cart and route the device cables through the strap as shown. Replace the cable management cover.



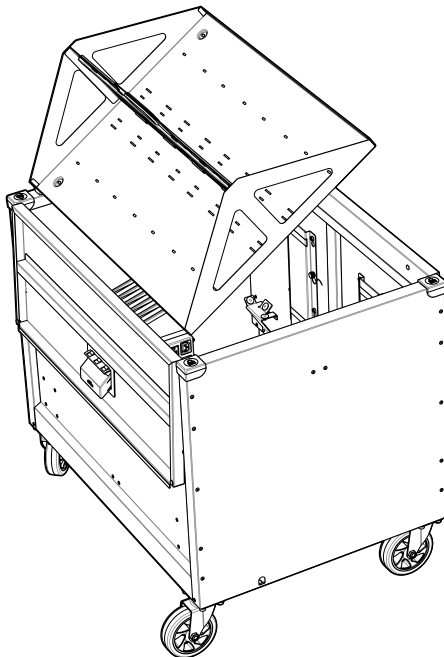
5



OPTIONAL

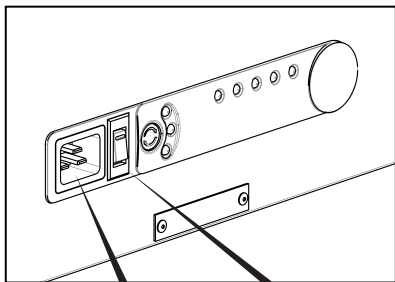


6

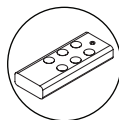


Place the shelf back into the cart on an angle; one edge first.

7

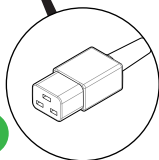


Connect the power cord and switch on. Use ECO Safe Charge™ instructions (included in the box) for operating details.



ECO Safe Charge Video Instructions:
<https://vimeo.com/194627704>

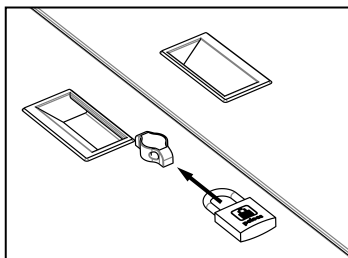
1



2

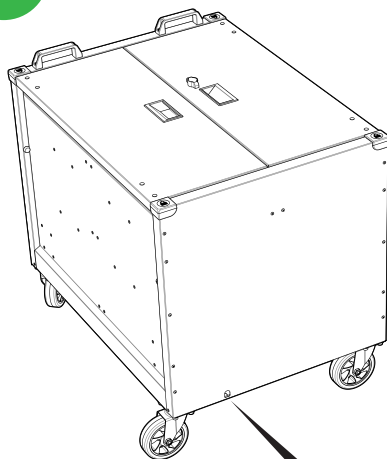


8



9

OPTIONAL



For added security, fit the lock-down chain (optional accessory) to the carts anchor point. Visit our website for more details.