

Follow the steps below to check your device's compatibility with the CarryOn.

1

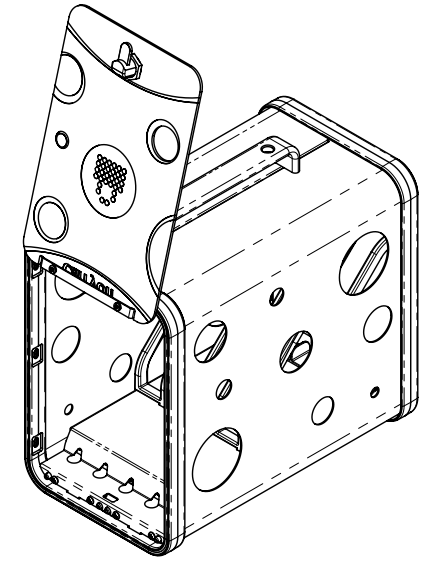
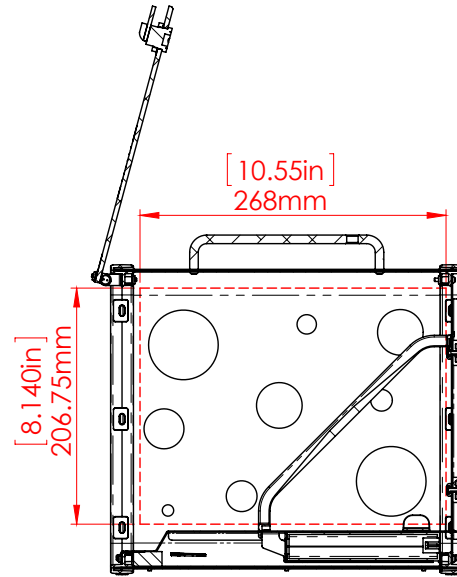
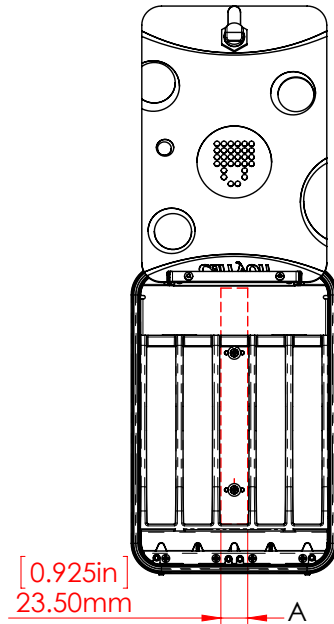
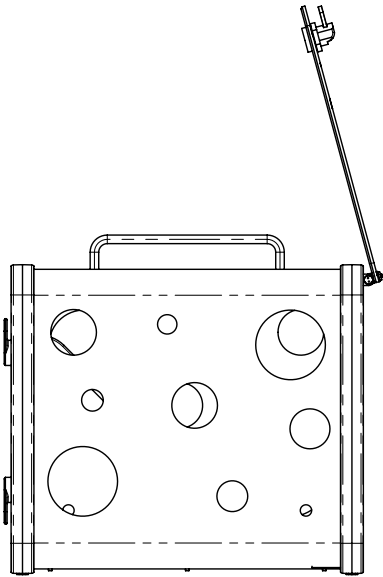
Connect the power cable and measure your device. Check the length, height and thickness.

2

Check device dimensions against the **below** measurements to determine if your device is compatible with the CarryOn. The illustration below gives you a visual illustration.

3

If your device is smaller than the measurements shown below, your device is compatible.



PRODUCT NAME	DESCRIPTION	TOTAL DEVICES PER STATION	MAX DIMENSIONS: (including power connector (mm))	MAX DIMENSIONS: (including power connector (inches))	POWER
CarryOn	Ultra-mobile charging station	5	206.75mm x 268mm x 23.5mm	8.14in x 10.55in x 0.925in	USB Charging

www.lockncharge.com/eu

Phone: +44 (0) 208 441 4107

europesupport@lockncharge.com

