

Installation guide

MountingSet Inwall, loop

viveroo 



viveroo GmbH
Wewelsburger Straße 4
33154 Salzkotten
Germany
www.viveroo.com



REV20180926

Safety information

!ATTENTION

Please read the assembly instructions included carefully before installing the MountingSet. Please also read the loop user manual completely before using your loop. Please follow the instructions and recommendations to ensure proper use and maximum enjoyment.

Safety information

loop and all loop mounting sets are intended for use in enclosed and dry living spaces.

The following conditions must be provided:

- Operating temperature between 0° C (32° F) and 35° C (95° F).
- Relative humidity (during use): 20 % to 90 %, non-condensing.
- No external environmental influences such as oil, chemicals, salt, extensive dust, etc.

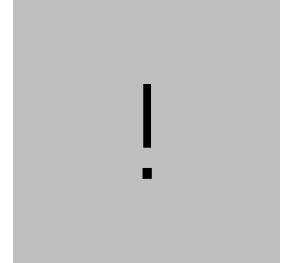
The maximum altitude is 2.000m.

Installation, service or repairs, if necessary, may only be performed by authorized persons.

The installer is responsible for selecting the proper mounting location and safe installation of loop. This also applies to installation in movable parts, such as doors. The installer is responsible for performing and documenting all necessary safety tests.

All electrical installation work may only be conducted by authorized, trained electricians, always adhering to the general rules and regulations applying to electrical installation. Wire end sleeves and ferrules must be used for flexible cables.

Should it become apparent that safe operation of loop is not assured, then loop must immediately be taken out of service and secured against potential misuse. If the loop functions are limited, blocked or disabled, if an unusual odor is present, if noises such as scratching are audible or damage is visible, safe operation can no longer be guaranteed.



Technical Data

Product contents

- Installation guide Inwall
- loop flush mounting box with installation disc (rotating disc), incl. integrated level
- Power supply (IN 100-240 Vac, 50-60 Hz, OUT 12 Vdc) with pre-installed loop power cable (including usage guidelines and installation guide)
- Fastening screw packet (for attaching loop) with various length screws (see „Installation“ section)

Compatibility

Electrical operation of loop is permitted only in connection with loop Mounting Set and power supply and cable included in the Mounting Set. Operation of loop without a Mounting Set will lead to immediate loss of guarantee and warranty.

Measurements in mm

Diameter design cover	385
Depth loop	39
Diameter opening (for flush-mounted box)	363 - 365
Installation depth loop (for flush mounting)	66

Weight in kg

loop	4,8
------	-----

Electrical connections

loop voltage (Power supply is provided in MountingSet)	100-240 Vac 50 - 60 Hz
Power consumption	18 Watt

Removal from power supply

loop may be removed from the power supply via the circuit breaker in the respective rooms.

Circuit Breaker

16A (EU) , 20A (USA/Canada)

Overvoltage category

OVC II

Wire cross-section

The permitted conductive cross-section is between 0.75mm² and 2.5mm².

*) Technical changes and mistakes are excepted.
iPad is a registered trademark of Apple Inc.



Installation

Flush Mount Box

Step 1 Make an round opening in the wall. The diameter should be between 363 and 365 mm, the depth should be approximately 70 mm.

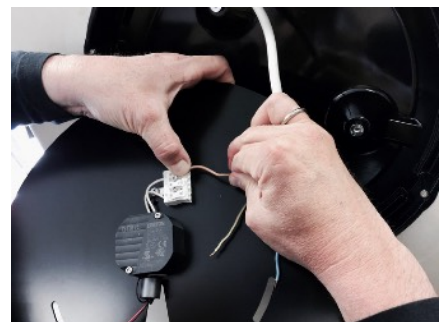
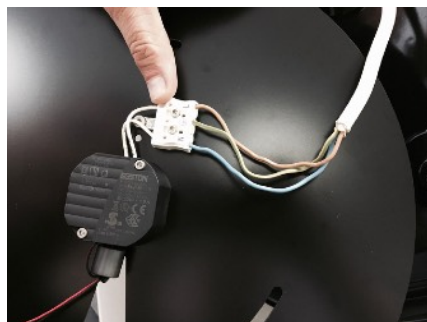
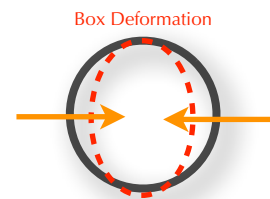
Step 2 Insert the flush mount box with the pre-installed rotating disc into the opening in the wall. Pull 20-25 cm of the power cable through the opening. The integrated level will show you the "UP" position. (The 12:00 o'clock position) Adjust the flush mount box according to the level. (Final adjustments can be made at a later time.)

! IMPORTANT: During installation, pay attention that the flush mount box is fastened parallel to the surface and is not shifted or offset in the wall.

! IMPORTANT: It is important that the flush mounted box is not deformed in any way. Do not use any foaming installation materials that may put pressure on the box and deform it.

! WARNING: Make sure that the power supply cord is unplugged during the entire installation and cannot be turned on accidentally.

Step 3 Remove the three screws in the rotating disc. Plug the power cord into the 3-pin device connecting terminal (N, L, PE).

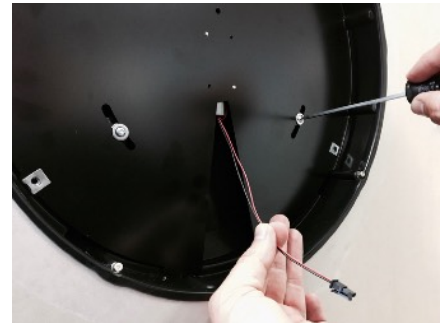


Installation

Flush Mount Box

Step 4 Re-insert the rotating disc. Make sure that the loop connecting cable is inserted from the front through the opening in the rotating disc. Attach the rotating disc with the three screws and make fine adjustments using the integrated level.

! ATTENTION: Make sure that no cables are jammed between the flush mounting box and the rotating disc.

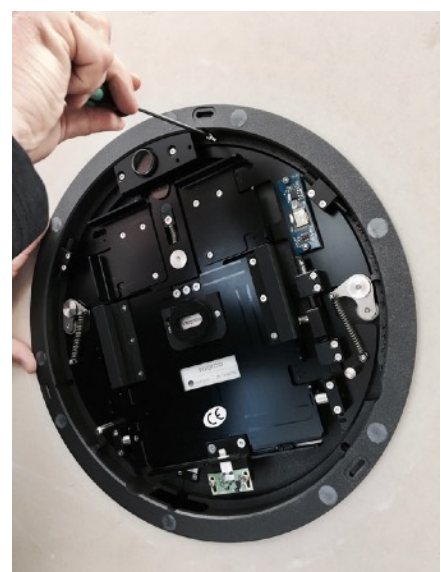
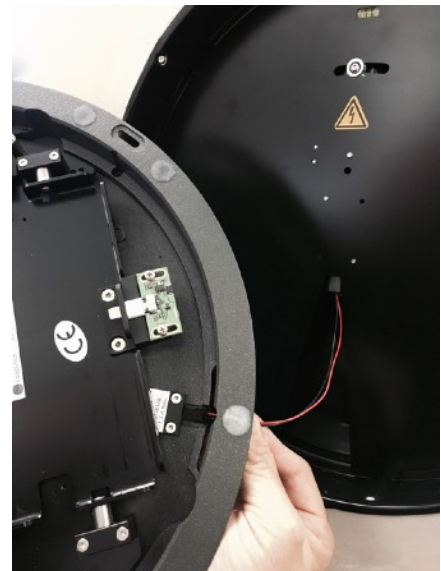


Step 5 Now the loop can be connected and inserted. Please refer to the loop user manual for instructions on proper installation of the loop.

! IMPORTANT for cavity wall installation: Please use the shorter screws when fastening the rotating disc to the flush mounted box.

! IMPORTANT for brick-wall installation: Please use the shorter screws when fastening the rotating disc to the flush mounted box. Should these be too short, please use the longer screws.

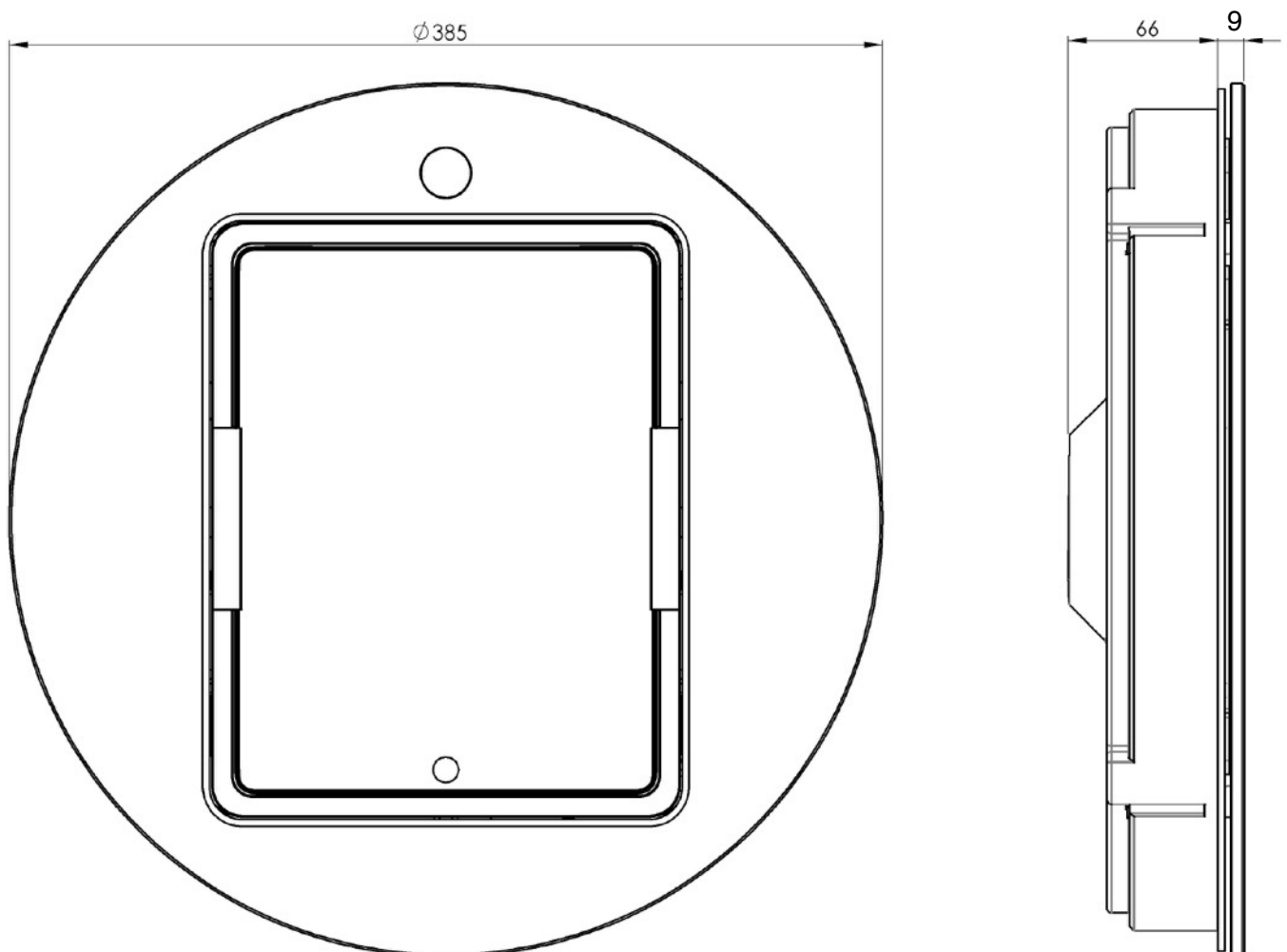
! ATTENTION: After completing installation, please make sure that the loop is solidly secured to the wall as well as secure electrical connection/function.



Technical Details

loop

Measurements for installation in solid, concrete and hollow walls (with wall case), in mm



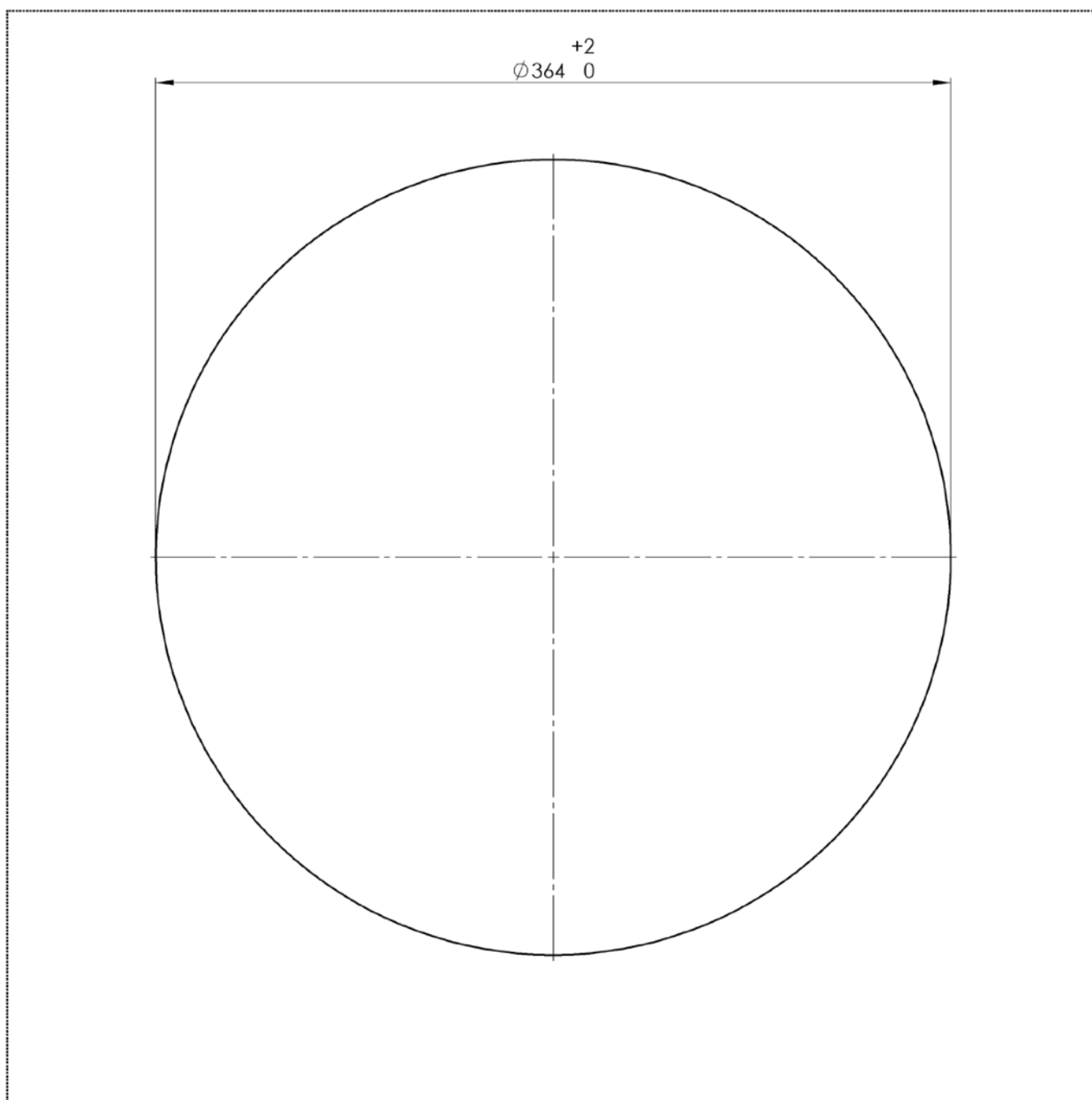
Installation Use the three inner holes to screw the mounting plate to the wall!

Short or long screw Short or long screw:

The shorter screws are good for cavity walls. If the flush mounted box is installed under the plaster on the brick wall, use the longer screws. Always start with the shorter screws!



Cutting measurements for solid, concrete and hollow walls,
(for the wall case), in mm



MountingSet Inwall zero loop



Incl. MountingSet Inwall + flush mount frame with reinforcing grid
REV20180809

Safety informaion

!! Important:

Before installing this MountingSystem please read the following information. Follow the instructions and recommendations described.

General conditions:

The MountingSet Inwall zero is an extension of MountingSet Inwall. Accordingly, it is assumed that both products are built in combination.

The following embedding materials are approved for the attachment and incorporation of MountginSet Inwall zero: mineral plaster, polymer modified adhesive and reinforcement cement.

The MountingSet is designed for installation in dry and closed living spaces.

The following environmental conditions are ensured:

Ambient temperature 0 °C to 35 °C

No environmental influences, such as oil, chemicals, salt and comparable

No direct sunlight

The MountingSet must be processed and installed only by authorized personnel. This includes the proper installation of electrical connections. The responsibility for proper installation and safe installation of the MountingSet is only with the processor. Basically, the user has to make and certify all safety checks.

Delivery contents

- Installation guide, flush-plastered MountingSet Inwall zero
- Flush mount frame with reinforcing grid

Installation in hollow walls (plasterboard)

Bring Circular hole with a diameter of 365mm in the gypsum board. Provide a mounting depth of 70 mm in the cavity wall. Place the power cable.

Clean the surface of the gypsum board thoroughly and fix the flush mount frame on the gypsum fibreboard - concentric with the hole.

!! Important: The gypsum fibreboard must provide a very smooth, surface adhesion for the flush mount frame, stress- and distortion-free!

Incorporate the flush mount frame with approved embedding material (see above). To do this, prepare the surface according to VOB, Section C, DIN 18363, DIN 18350 or BFS notices. Then apply the embedding material evenly to the gypsum fibreboard according to the manufacturer's instructions. Embed the reinforcement fabric of the frame in the wet coating without any creases. After that apply embedding material again evenly, so that the grid is no longer visible. Depending on the design ideas the flush mount frame can be plastered up to the upper edge.

After the embedding material has perfectly dried out, please clean the inner surfaces of the frame and insert the wall case / flush mount box. Please follow the installation guide for the MountingSet Inwall.

!! Attention: Install the flush box so deep that it rests firmly on the inner ring of the frame.

!! Attention: Screw the wall case / flush mount box so tight that it stabilizes the frame.

MountingSet Inwall zero loop



Incl. MountingSet Inwall + flush mount frame with reinforcing grid
REV20180809

Installation in brick walls and concrete walls (shell)

Bring Circular hole with a diameter of 365 mm in wall. Provide a mounting depth of 70 mm in the cavity wall. Place the power cable. Apply subsoil / substrate plaster to the wall and fix the flush mount frame - concentric with the hole for the wall case / flush mount box.

!! Important: The subsoil / substrate plaster must provide a very smooth, surface adhesion for the flush mount frame, stress- and distortion-free!

Incorporate the flush mount frame with approved embedding material (see above). To do this, prepare the surface according to VOB, Section C, DIN 18363, DIN 18350 or BFS notices. Then apply the embedding material evenly to the gypsum fibreboard according to the manufacturer's instructions. Embed the reinforcement fabric of the frame in the wet coating without any creases. After that apply embedding material again evenly, so that the grid is no longer visible. Depending on the design ideas the flush mount frame can be plastered up to the upper edge.

After the embedding material has perfectly dried out, please clean the inner surfaces of the frame. Insert the wall case / flush mount box and fix it with fastening material such as plaster or mortar or cement – Please follow the installation guide for the MountingSet Inwall.

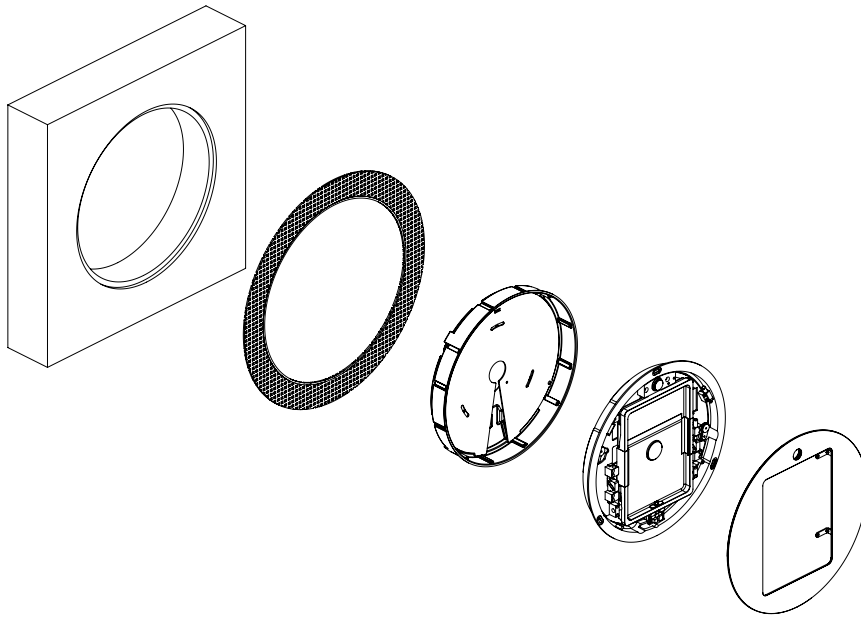
!! Attention: Install the flush box so deep that it rests firmly on the inner ring of the frame.

!! Attention: Screw the wall case / flush mount box so tight that it stabilizes the frame.

Images for illustration

Information:

Follow sequence: 1. Flush mount frame , 2. flush mount box , 3. loop

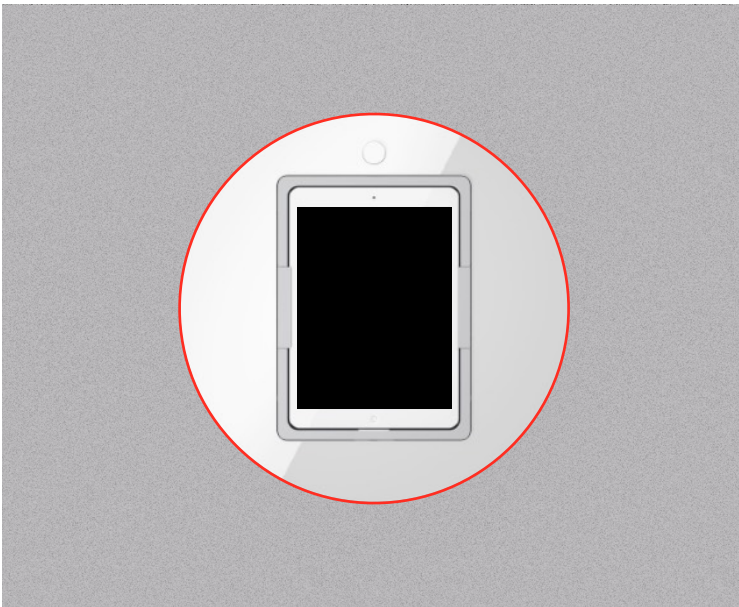


Install the flush box so deep that it rests firmly on the inner ring of the frame.

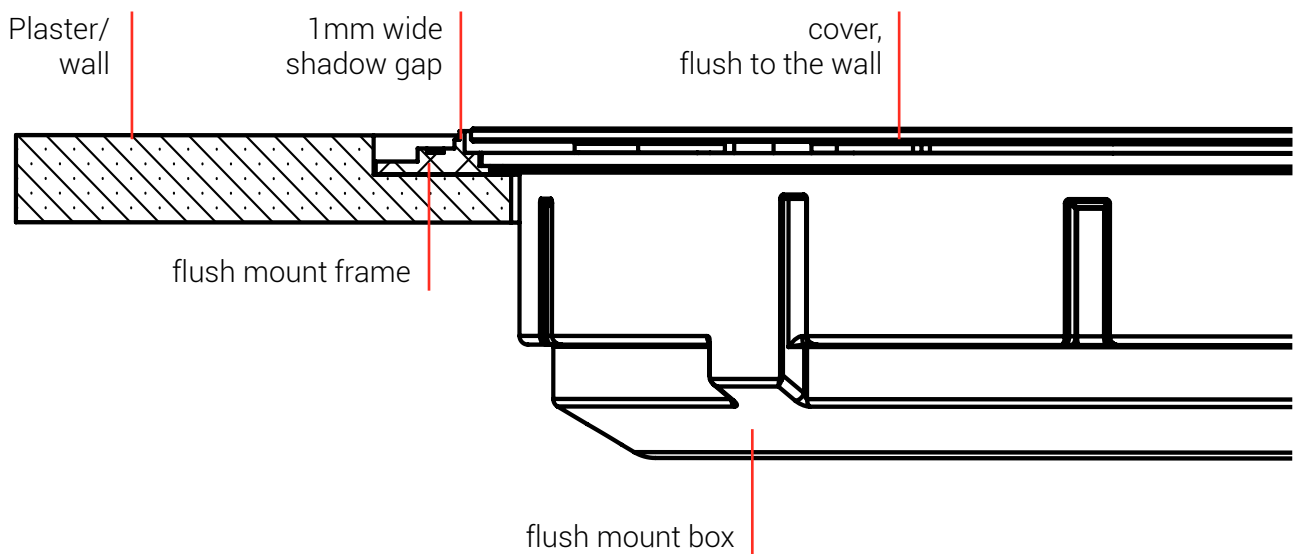


Information

When installed, the loop forms a flat surface with the wall. There is a 1mm wide shadow gap (red) around the loop.

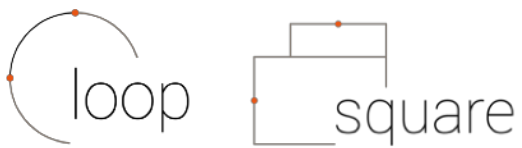


Sectional drawing



Installation guide

MountingSet Furniture for loop and square



viveroo GmbH
Wewelsburger Straße 4
33154 Salzkotten
Germany
www.viveroo.de



Safety information

!ATTENTION

Please read the assembly instructions included carefully before installing the MountingSet. Please also read the loop user manual completely before using your loop. Please follow the instructions and recommendations to ensure proper use and maximum enjoyment.

Safety information

loop and all loop mounting sets are intended for use in enclosed and dry living spaces.

The following conditions must be provided:

- Operating temperature between 0° C (32° F) and 35° C (95° F).
- Relative humidity (during use): 20 % to 90 %, non-condensing.
- No external environmental influences such as oil, chemicals, salt, extensive dust, etc.

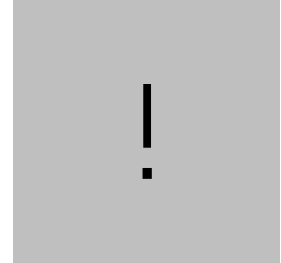
The maximum altitude is 2.000m.

Installation, service or repairs, if necessary, may only be performed by authorized persons.

The installer is responsible for selecting the proper mounting location and safe installation of loop. This also applies to installation in movable parts, such as doors. The installer is responsible for performing and documenting all necessary safety tests.

All electrical installation work may only be conducted by authorized, trained electricians, always adhering to the general rules and regulations applying to electrical installation. Wire end sleeves and ferrules must be used for flexible cables.

Should it become apparent that safe operation of loop is not assured, then loop must immediately be taken out of service and secured against potential misuse. If the loop functions are limited, blocked or disabled, if an unusual odor is present, if noises such as scratching are audible or damage is visible, safe operation can no longer be guaranteed.



Product contents

- Installation guide MountingSet Furniture
- Power supply (IN 200-240 Vac, 50 Hz, OUT 12 Vdc) especially for furniture mounting, incl. separate installation guide
- 1m cable (to connect power supply to loop or square)
- 1m power cord (to connect power supply to wall socket)
- screw set: 4 pieces 3x25mm and 4 pieces 3,5x25mm

Compatibility

Electrical operation of loop is permitted only in connection with loop Mounting Set and power supply and cable included in the Mounting Set. Operation of loop without a Mounting Set will lead to immediate loss of guarantee and warranty.

Electrical connections

Netzspannung 200-240 Vac
50 Hz

Power consumption. 15 Watt

!! Attention: Please also the manual provided with the power supply.

Removal from power supply

loop may be removed from the power supply via the circuit breaker in the respective rooms.

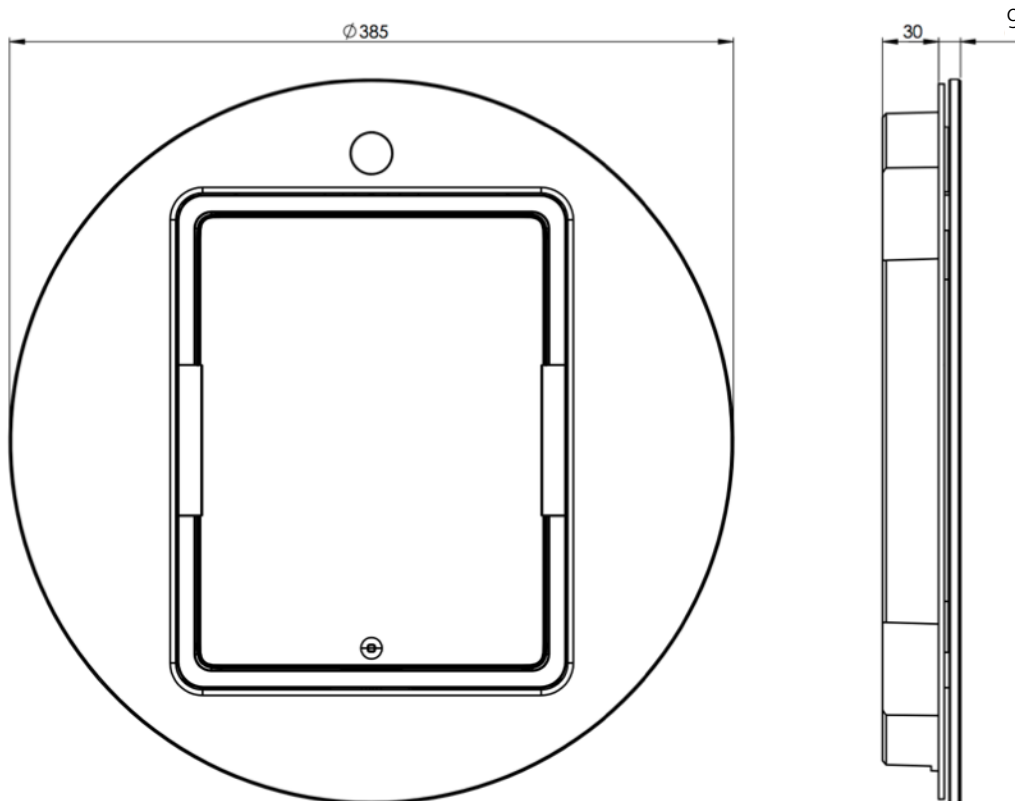


*) Technical changes and mistakes are excepted.
iPad is a registered trademark of Apple Inc.

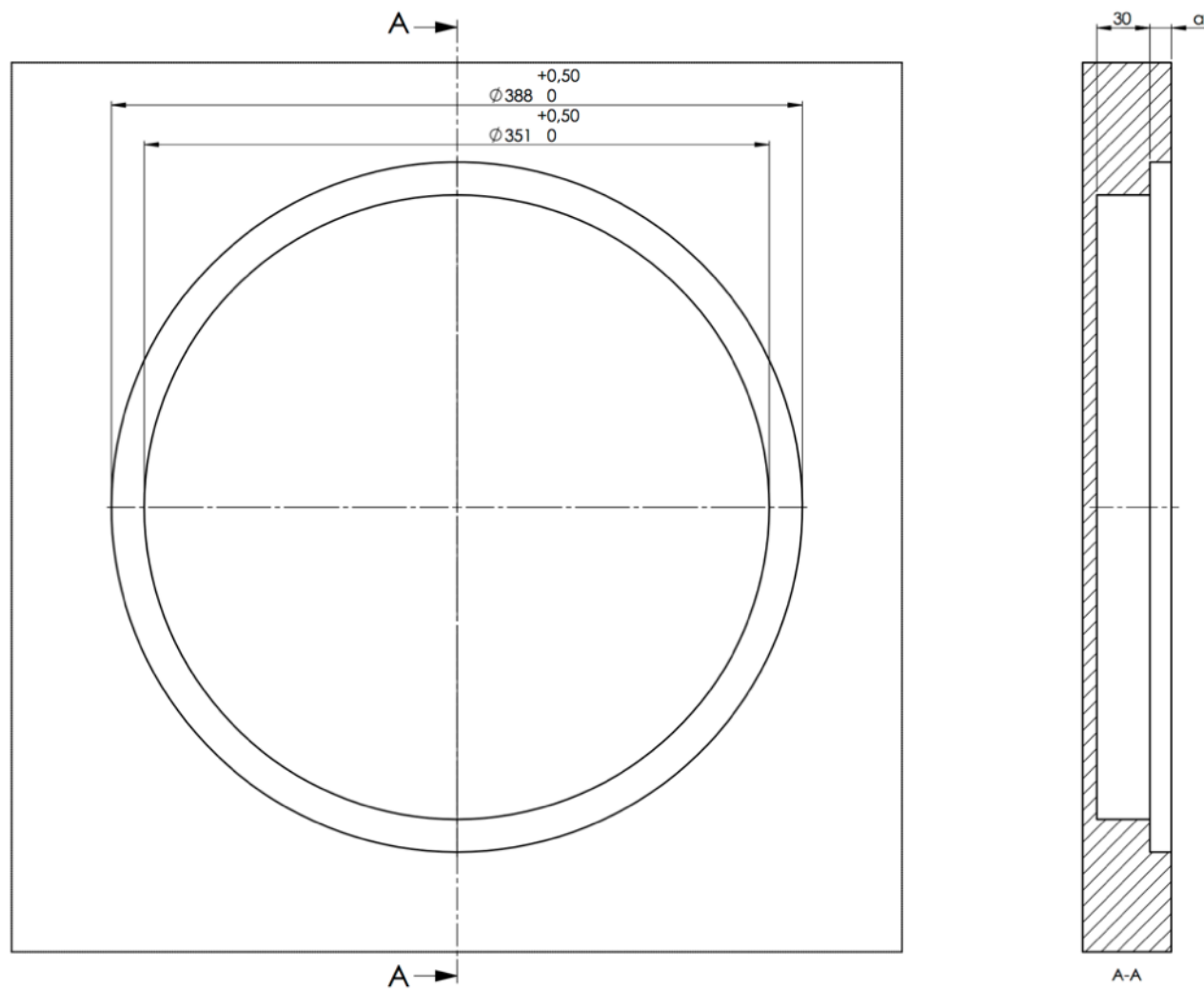
Technical Details

loop

Measurements for installation in furniture, cabinets, wooden materials, in mm



a = 9mm for flush-mounted installation
a = 0mm for overlying mounting (not flush)



Do it right!

1)
!! Important
for loop



2)
!! Important
for loop



After tightening the screws,
cover the screw holes by
affixing the three adhesive
dots included!

for square



Use included screws only!

Why? The screw head must be
extremely flat.
Special screws of assorted diameters
are included. The choice is yours.
For square use the 4 inner screw holes.
For loop use the 3 outer screw holes.