

Installation guide

viveroo one



Contents

- Safety information and technical data (p. 2-3)
- Installation with wallbox (100-240V or POE) (p. 4-7)
- Installation direct mounting (100-240V or POE) (p. 8-10)
- Notes on PoE splitters (p. 11)



! Important

Please read the assembly instructions included carefully before installing the MountingSet. Please also read the one user manual completely before using your one. Please follow the instructions and recommendations to ensure proper use and maximum enjoyment.

Safety information

one and all one mounting sets are intended for use in enclosed and dry living spaces.

The following conditions must be provided:

- Operating temperature between 0° C (32° F) and 35° C (95° F).
- Relative humidity (during use): 20 % to 90 %, non-condensing.
- No external environmental influences such as oil, chemicals, salt, extensive dust, etc.

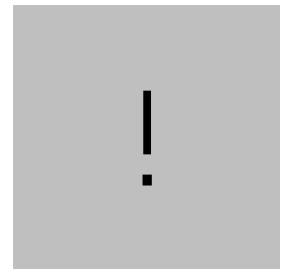
Installation, service or repairs, if necessary, may only be performed by authorized persons.

The maximum altitude is 2.000m.

The installer is responsible for selecting the proper mounting location and safe installation of one. This also applies to installation in movable parts, such as doors. The installer is responsible for performing and documenting all necessary safety tests.

All electrical installation work may only be conducted by authorized, trained electricians, always adhering to the general rules and regulations applying to electrical installation.

Should it become apparent that safe operation of one is not assured, then one must immediately be taken out of service and secured against potential misuse. If the one functions are limited, blocked or disabled, if an unusual odor is present, if noises such as scratching are audible or damage is visible, safe operation can no longer be guaranteed.



Product contents

- Installation guide Inwall
- Power supply unit (IN: 100-240 Vac, 50/60 Hz, OUT: 5,2 Vdc) or USB Power Adapter USB-C: 100-240Vac, 50/60Hz, PD 3.0, up to 18W
- For POE:
Lightning: IN: (IEEE 802.3af) 44-57V, 12W, OUT: 5V, 10/100 Data
USB-C: IN: PoE+ (IEEE 802.at), 25W, OUT: USB-C PD+Gigabit Data

Compatibility

Electrical operation of viveroo products is permitted only in connection with a viveroo MountingSet and power supply and cable included in the MountingSet. Operation of viveroo products without a MountingSet will lead to immediate loss of guarantee and warranty.

Measurements in millimeter

Measurements design cover one for ...

... iPad mini 4/5	225 x 143
... iPad 10.2 inch (09/2019), Air (2019), Pro 10.5 inch	267 x 164
... iPad Pro 11 inch	277 x 173
... iPad Pro 12.9 inch (3rd/4th Gen, 2018/2020)	275 x 178 307 x 215
Depth	14
Size of opening (for flush-mounted box)	elongated hole 68x139
Installation depth (for flush-mounted box)	75

Weight in gram

one for ...

... iPad mini 4/5	740
... iPad 10.2 inch (09/2019), Air (2019), Pro 10.5 inch	866
... iPad Pro 11 inch	952
... iPad Pro 12.9 inch (3rd/4th Gen, 2018/2020)	1.118

Electrical connections

Power supply	100-240 Vac 50-60 Hz
Power consumption	12,5Watt - 18Watt, depending on iPad and power supply

Removal from power supply

one may be removed from the power supply via the circuit breaker in the respective rooms.



Technical changes and mistakes are excepted.
Apple, iPad and Lightning are registered trademarks of Apple Inc.

Step 1 one can be installed either in portrait or landscape position, it is your choice.

For installation in landscape position:

Make an elongated hole in the wall (68mmx139mm). Use a holesaw (two holes next to each other with 68mm diameter, center distance 71mm).

For installation in portrait position:

Use a holesaw and make two holes among each other with 68mm diameter, center distance 71mm. The backside of the flush-mount box can be used as a template. The depth should be approximately 75mm.

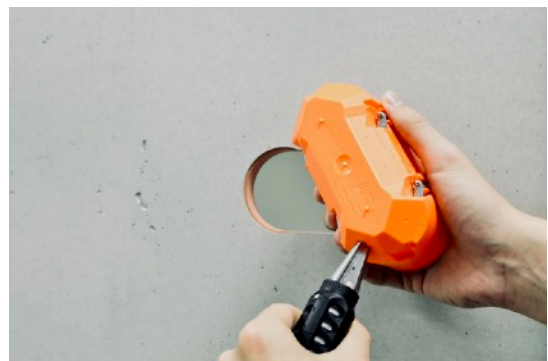
! Important: This installation guide shows the installation process for a drywall. Here one is installed in landscape position.



Step 2 Cut a hole for the cable in the flush-mount box. Use the diagonal surfaces of the box for the cut. (See photo.) Cut the hole from the back side of the box. Make the hole correspond to the size needed for the cable.

If needed please prepare a second hole for the network LAN cable.

optional article: One with network connection via POE.
Not for retrofit. Please order together with one.



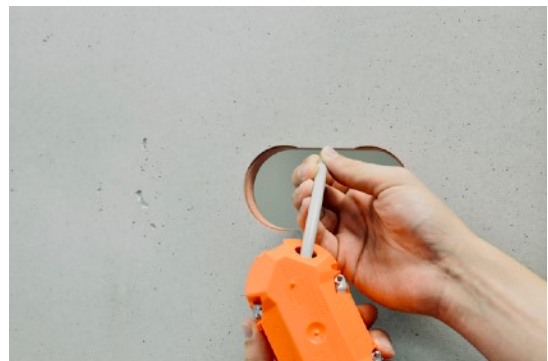
Step 3 Insert the wallbox with the pre-installed installation disc into the opening in the wall. Pull 10-15 cm of the power cable through the opening.

For free in landscape position:

The integrated level will show you the 12 o'clock "UP" position. Adjust the flush mount box according to the level. (Final adjustments can be made at a later time.)

For free in portrait position:

The integrated level is in 3 o'clock position. Use an external level to align the box vertically.



Step 4 **For drywall installation:**
Fasten the flush-mount box to the wall.

For stone or solid wall installation:

Let the black installation disc mounted so that the flush mounted box is not deformed in any way.

! IMPORTANT: During installation, pay attention that the flush mount box is fastened parallel to the surface and is not shifted or offset in the wall.

! IMPORTANT: It is important that the flush mounted box is not deformed in any way. Do not use any foaming installation materials that may put pressure on the box and deform it.



Step 5 Remove the installation disc by loosening the screws.

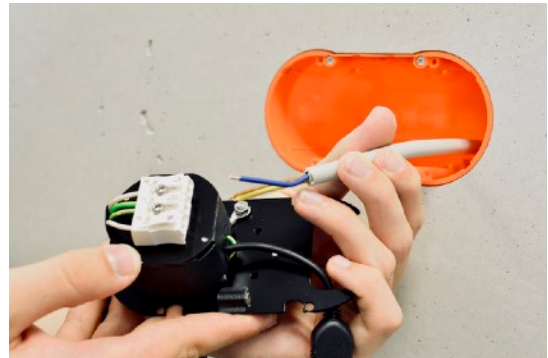
Step 6 For 100-240V connection

Verbinden Sie nun die Anschlussklemmen mit den stromführenden Leitern (L, N) und dem Schutzleiter.

Now connect the connecting terminal with the current-carrying conductors (L, N) and the protective conductor.

! Important: Make sure that the power supply cord is unplugged during the entire installation and cannot be turned on accidentally.

Die USB-Buchse vom Netzteil wird später mit dem USB-Anschlusskabel vom one verbunden.



Note: Illustration is an example. Depending on the iPad and USB port, another power adapter can be supplied.

For PoE connection

Unlike the 230V connection, the power supply via the network cable is not a separate part in the article of the MountingSet, but directly on the iPad holder. Please continue with the user manual of one.



Step 7 Re-insert the installation disc with the three screws

! Important: Make sure that no cables are jammed between the flush mounting box and the installation disc. After completing installation, please make sure that the free is solidly secured to the wall.

Now you can install the one. Please see the corresponding user manual.

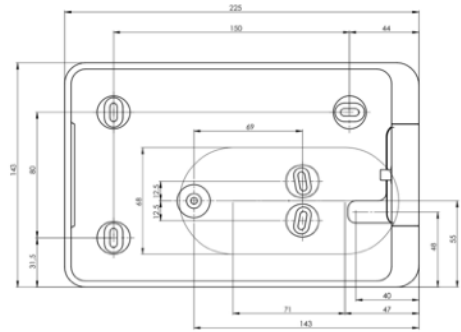


Installation with wallbox (100-240V or PoE)
 Product dimensions and position of wallbox

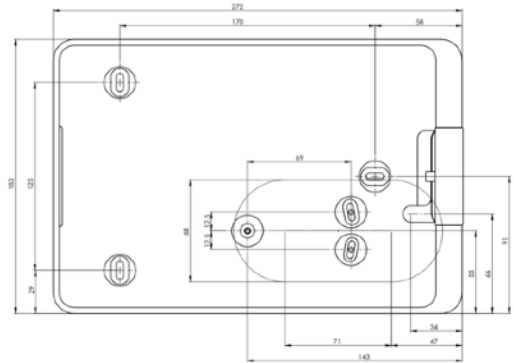


one for ...

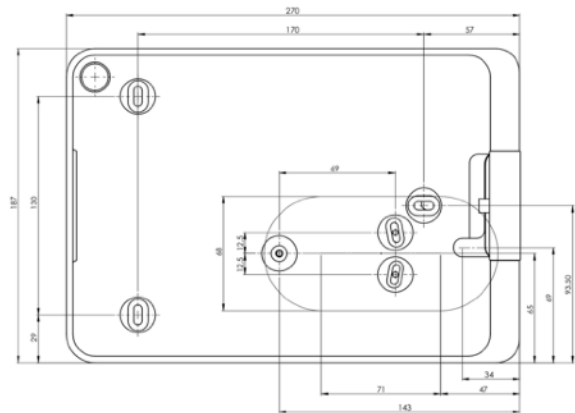
... iPad mini 4/5



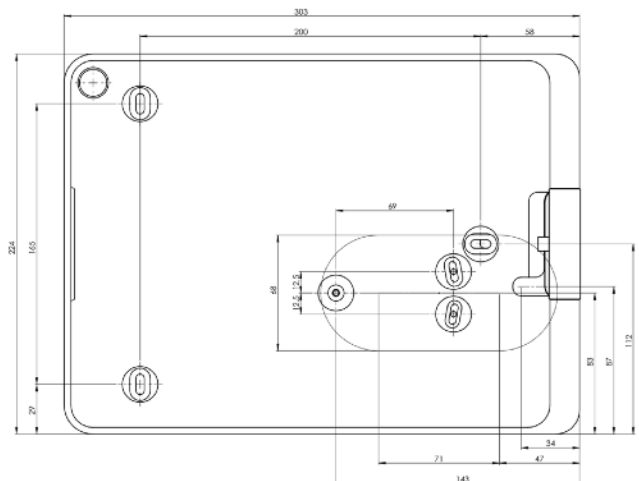
... iPad 10.2 inch (09/2019), Air (2019),
 Pro 10.5 inch



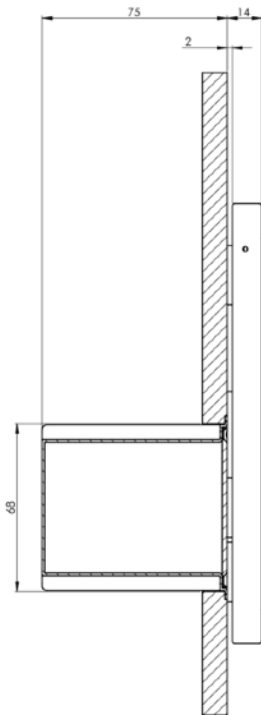
... iPad Pro 11 inch



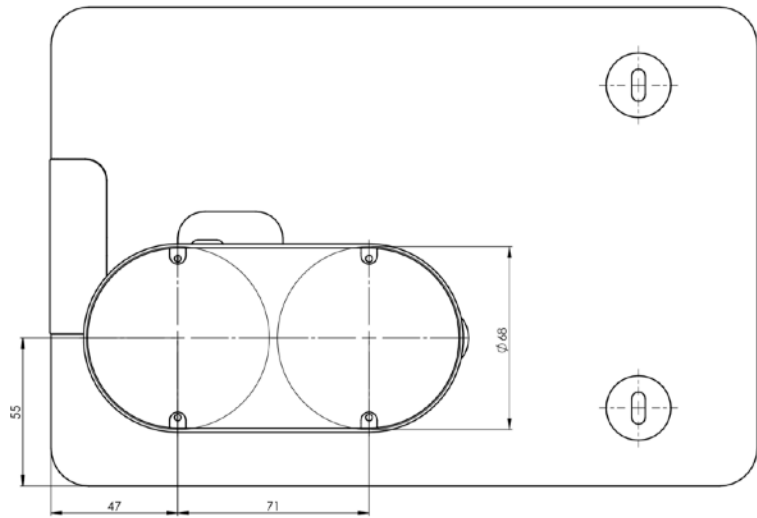
... iPad Pro 12.9 inch
 (3rd/4th Generation 2018/2020)



Installation with wallbox (100-240V or PoE) (Technical drawing)



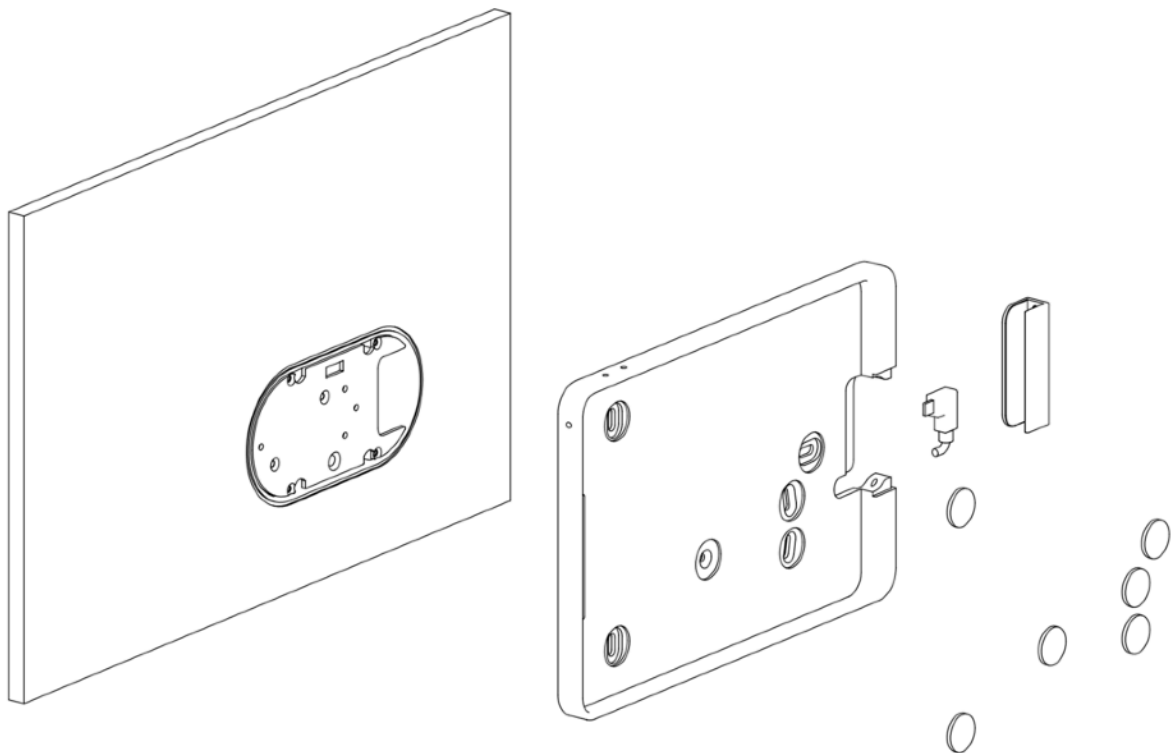
side view
from left to right: wallbox, wall, wall spacer, one



back view
! Attention: Measurements show free for iPad 9.7 inch.
Measurements for other generation on previous page.

The size of free varies depending on the iPad generation. Mounting plate is always the same, it allows you to change iPad generation easily.

Scale-ready drilling template at www.viveroo.com/downloads



Installation direct mounting (100-240V or POE)



The one can be attached directly to the wall via 3 points.

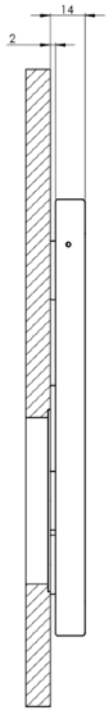
A distance from the wall ensures a secure hold and compensates for any unevenness. Use the enclosed dowels and screws for installation in concrete or solid wall.

Use the drilling templates to optimally position the one against the wall.

Download at: www.viveroo.com/downloads

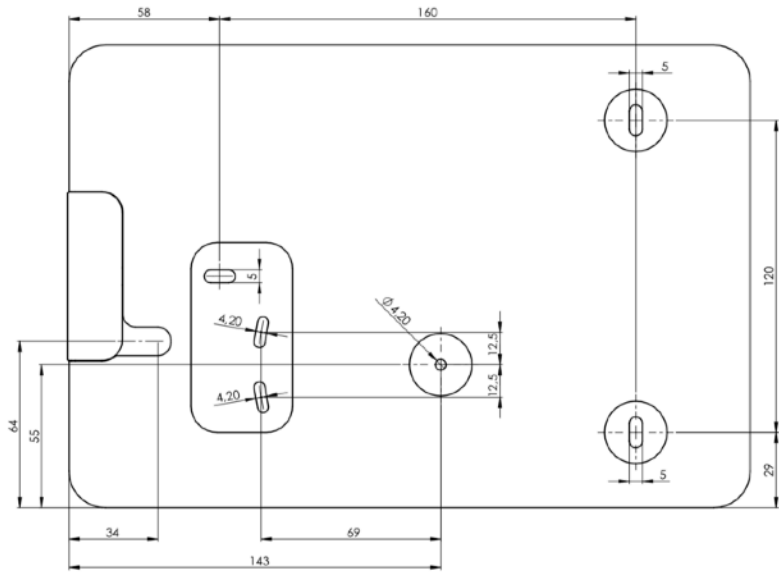


Installation direct mounting (100-240V or POE) Technical drawing



side view
from left to right: wall, wall spacer,
one

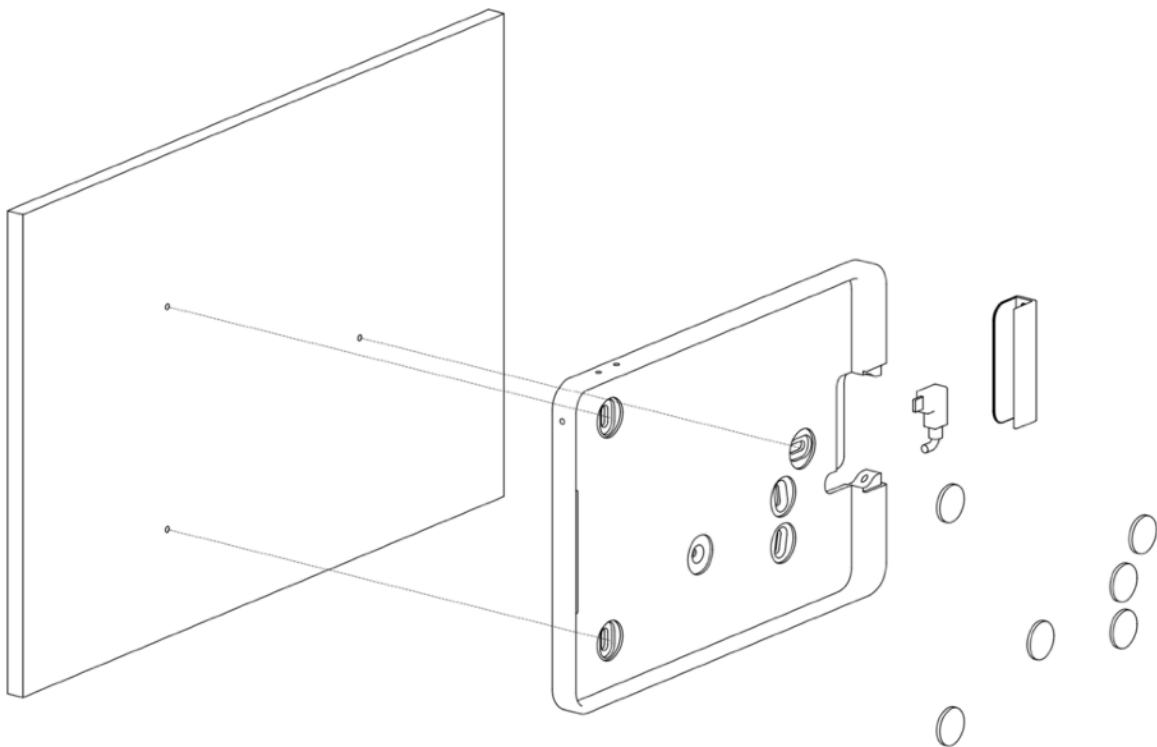
Hinweis:
Use holesaw $\varnothing 40\text{mm}$
to put the connector through.



back view
! Attention: Measurements show free for iPad 9.7 inch.
Measurements for other generation on previous page.

The size of free varies depending on the iPad generation.

Scale-ready drilling template at
www.viveroo.com/downloads

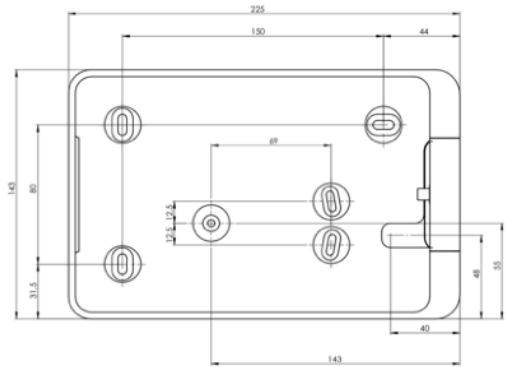


Montage Direktverschraubung (230V oder POE) Produktabmessungen

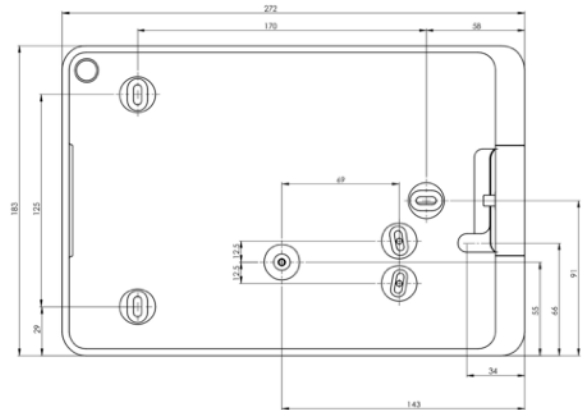


one für...

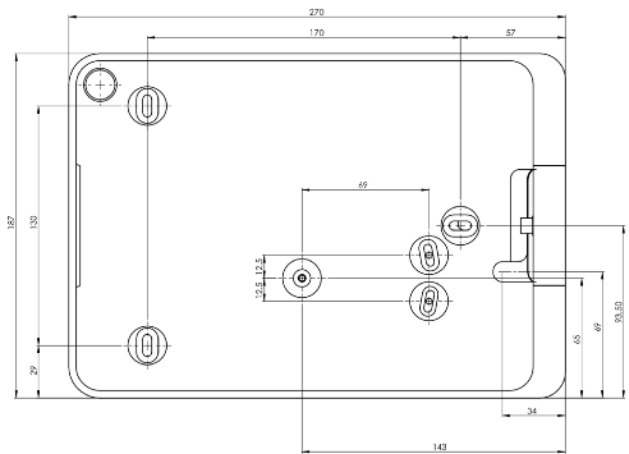
... iPad mini 4/5



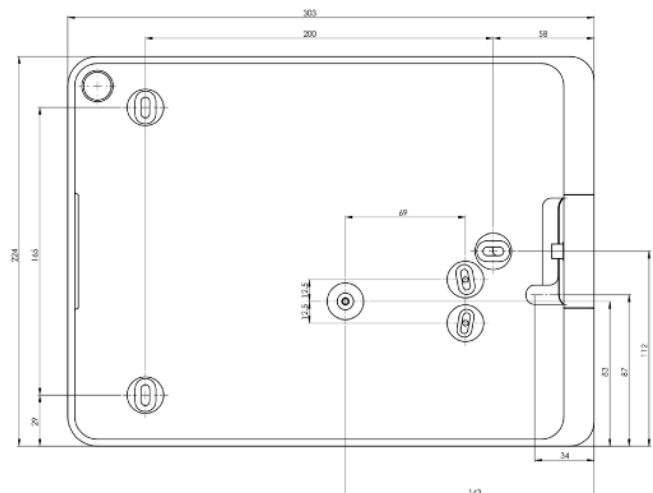
... iPad 10.2 inch (09/2019), Air (2019),
Pro 10.5 inch

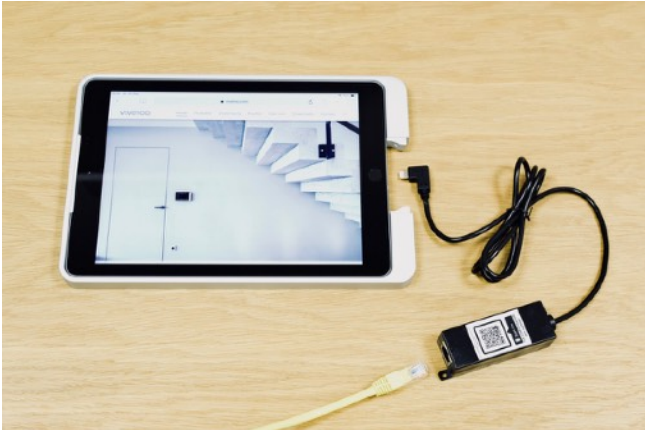


... iPad Pro 11 inch



... iPad Pro 12.9 inch
(3rd/4th Generation 2018/2020)





PoE Splitter for iPads with Lightning connector



PoE Splitter for iPads with USB-C connector

Hinweis: Use orange wallbox and installation plate to fix viveroo free on the wall. Put the white PoE splitter outside the orange box as it can get very warm at high load. Please also note the enclosed instructions of the PoE Splitter. We recommend to put the orange wallbox into a bigger installation housing or into a cavity wall with enough space.

