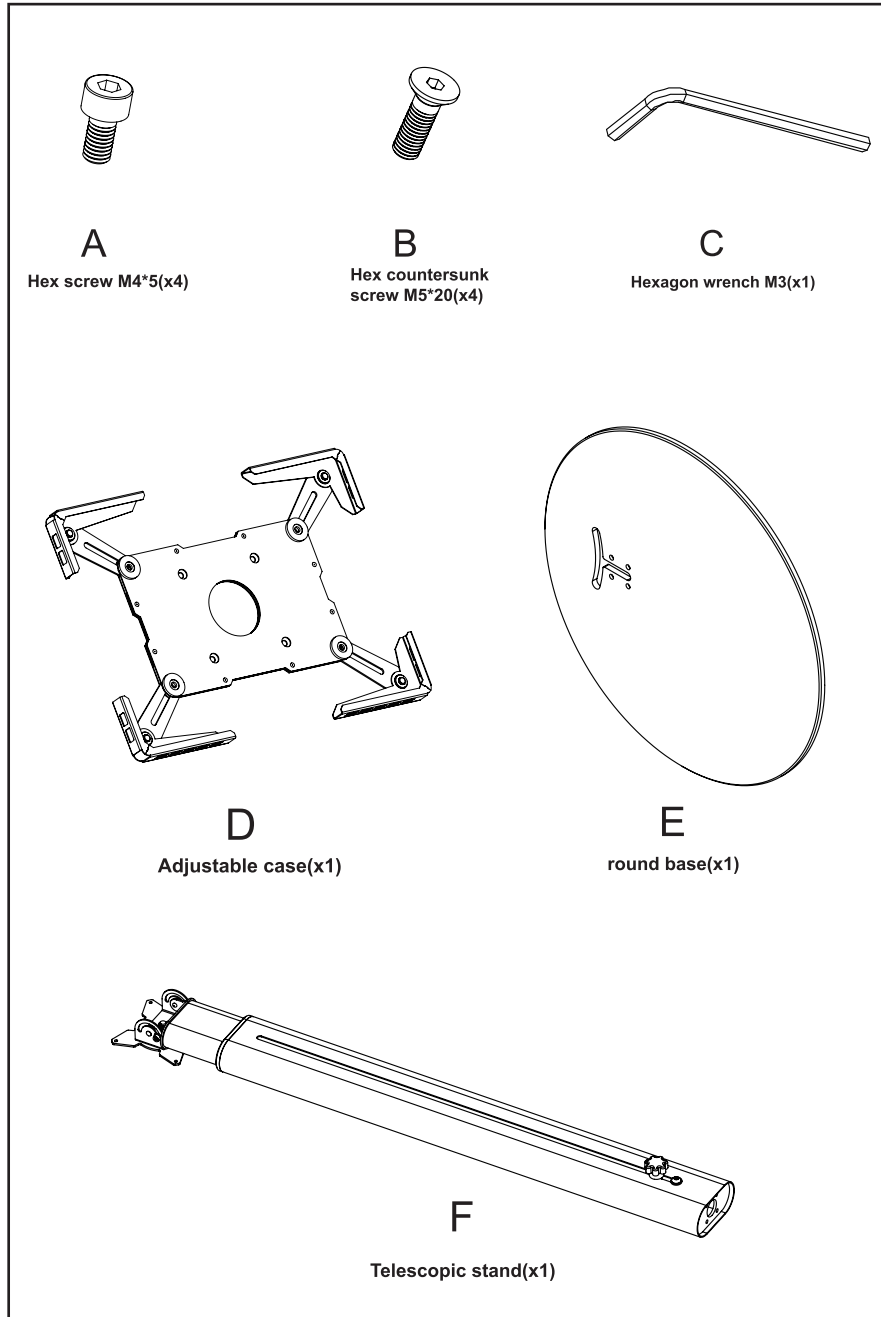
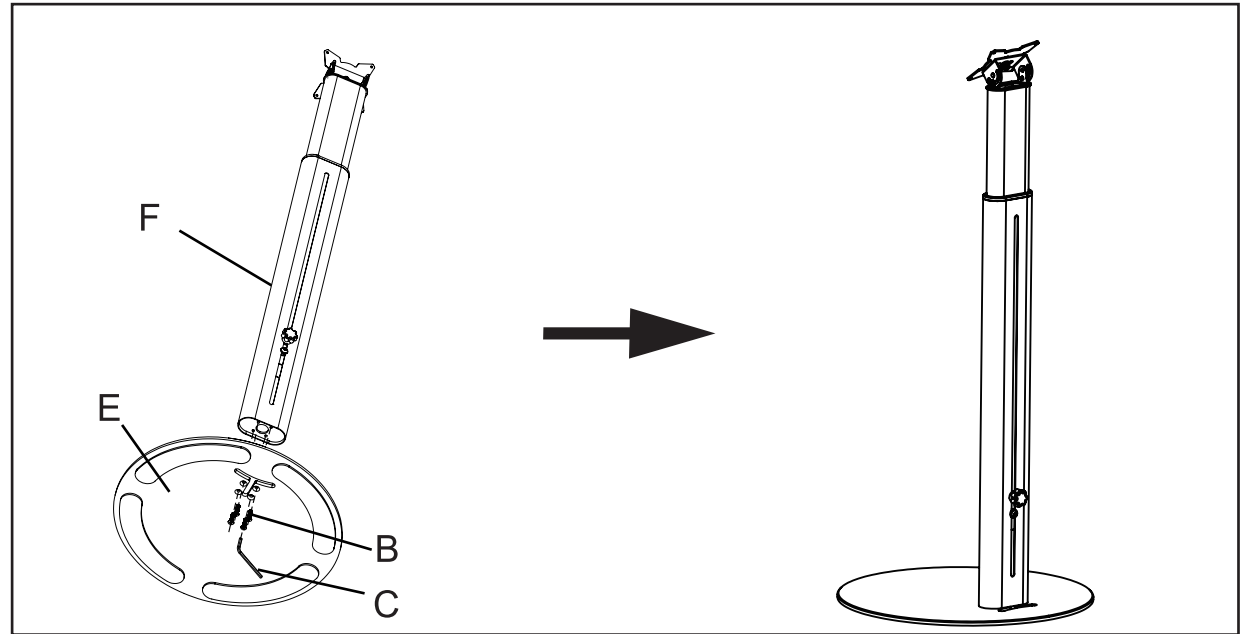


INSTALLATION INSTRUCTION

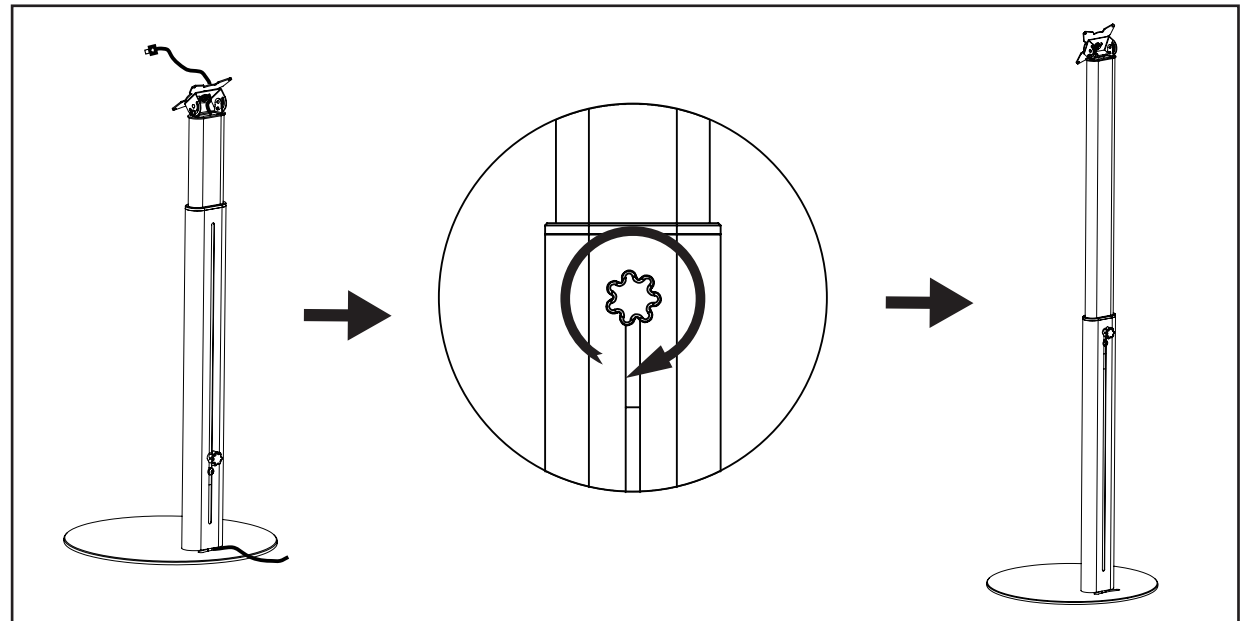
Components :



STEP 1: Lock the stand to the base .



STEP 2: Adjust to the required height and manage the cable.



STEP 3: Mount the tablet.

