

J-PLUG LOOP 2

Strong, Stylish and Versatile





STRONGEST LOOP SECURITY

J-Plug Loop 2's aircraft grade steel cable is capable of stopping cut and run threats in excess of 494lbs and is further protected by it's steel armour. At the heart of Loop 2 is the all new, adjustable pendant. Easily change the circumference of the loop to precisely match the size of the protected product. In its closed state, the pendant tightly grips the cable to prevent movement.



ADAPTABILITY

Loop 2 can be finely adjusted to fit any product type. The armoured cable not only enhances the security but also acts as a visual deterrent. The chrome finish reflects its surrounding which creates a more integrated display, where the security blends in with the store environment.



SECURE THE IMPOSSIBLE

The Loop 2 can secure any shape, any size. Thanks to the aircraft grade steel cable, the Loop 2 is lightweight yet robust. It offers great protection even on larger products.



STOP YOUR PRODUCTS FROM FLYING AWAY

The 1 meter cable improves the customer experience by eliminating the feeling of security and allowing customers to pick up, play and truly connect with products.



MOUNTING OPTIONS

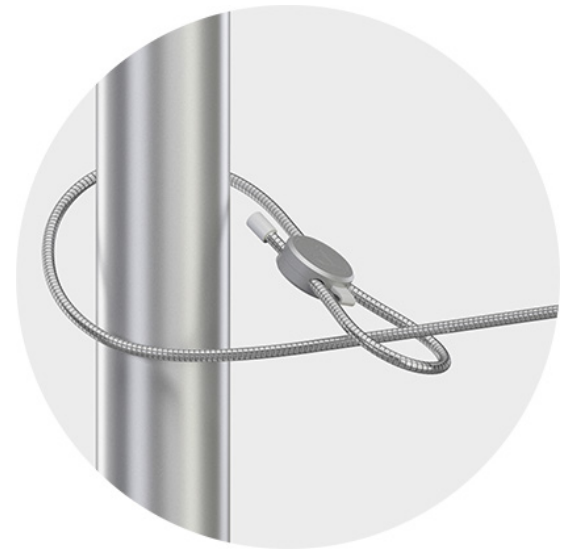
Designed to work with staff, not against them. J-Plug is a high security, durable solution that is easy to train and maintain.



SCREW



ADHESIVE



LOOP



PROTECT A WIDE RANGE OF PRODUCTS

Simple to install, operate and maintain. Cost effective security for all your products.



HEADPHONES



SPEAKERS



KETTLES

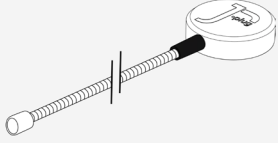



POWER TOOLS

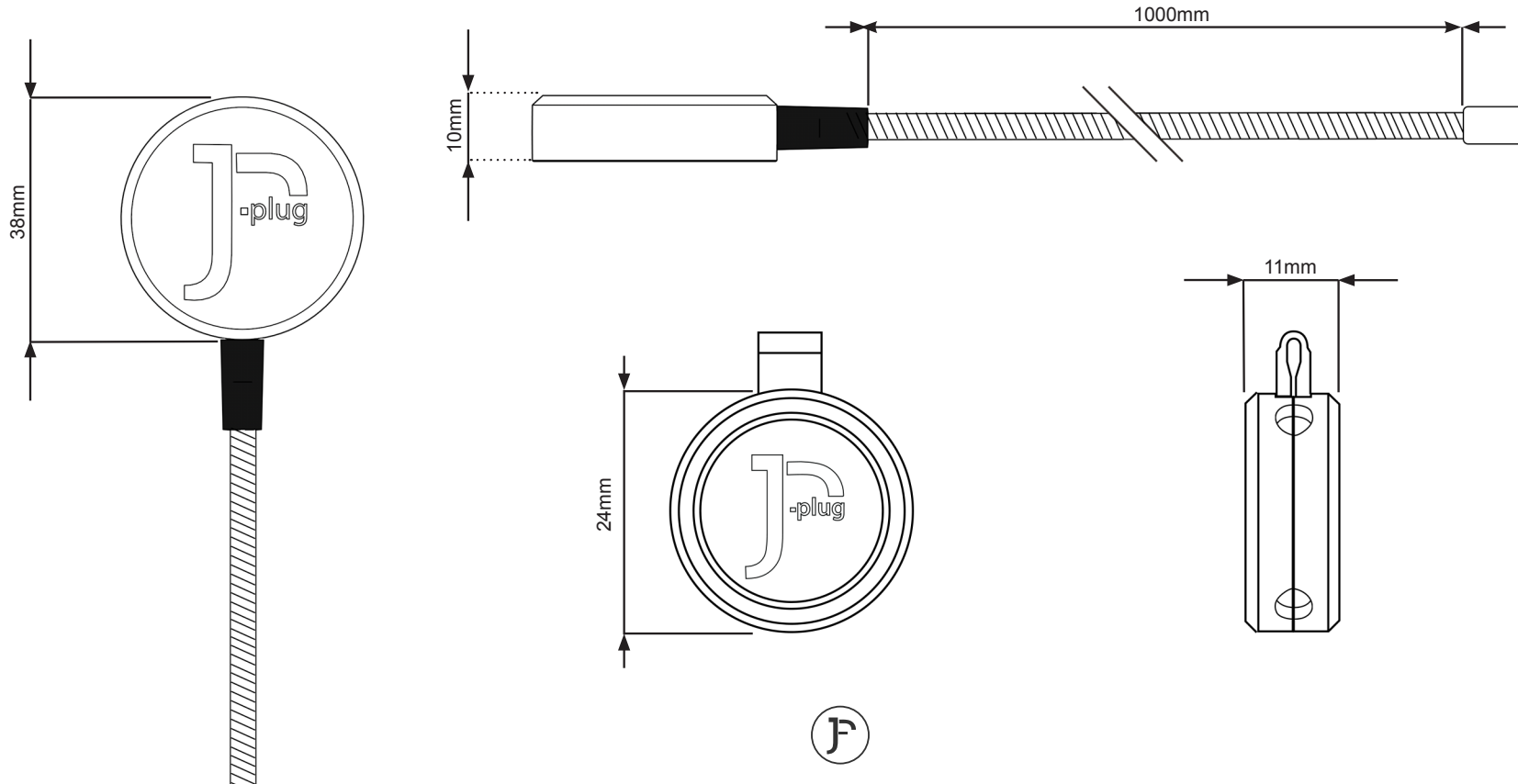


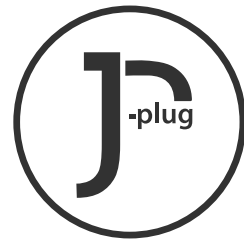
HANDBAGS



PRODUCT	WIDTH	HEIGHT	LENGTH
	38mm	20mm	1000mm

PACKAGING	WIDTH	HEIGHT	DEPTH
	90mm	30mm	90mm





**SALES
ENQUIRIES**

Telephone: +44 (0) 20 8541 5671
Email: sales@multplx.com

**GENERAL
ENQUIRIES**

Telephone: +44 (0) 20 8549 4878
Email: info@multplx.com

