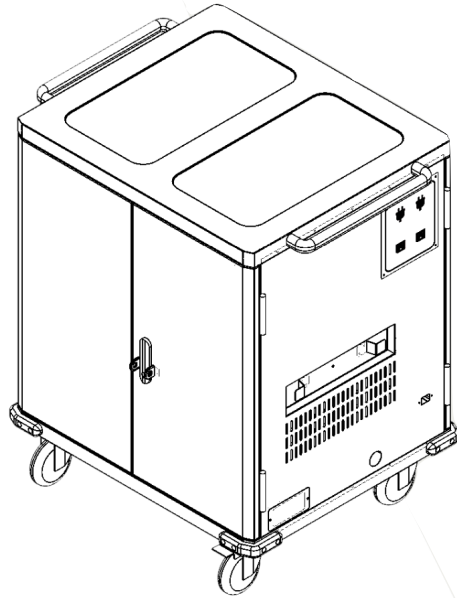


Charge Cart



BRV30

TABLE OF CONTENTS

1 Getting Started

Package Includes

Cart Diagram

Unboxing

Locking the Cart

Setup

Plugging in Devices

Advanced Features

Technical Specs

Safety and Warnings

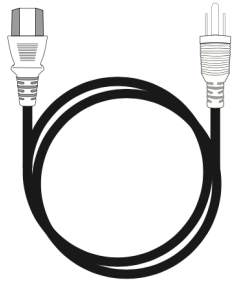
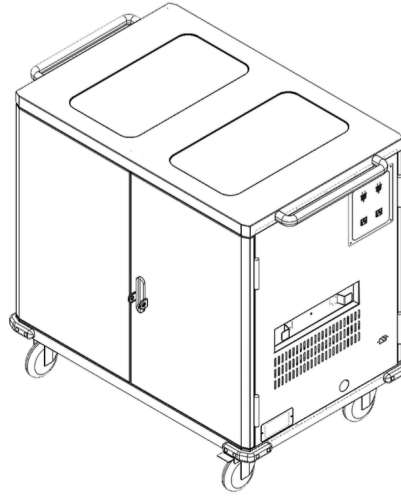
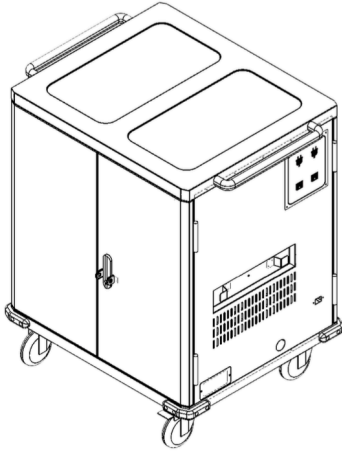


1

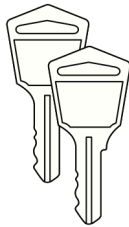
GETTING STARTED

Package includes

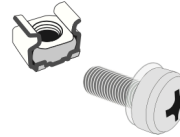
- AC Power Cord
- Keys
- Rack Mounting Hardware



AC Power Cord



Keys

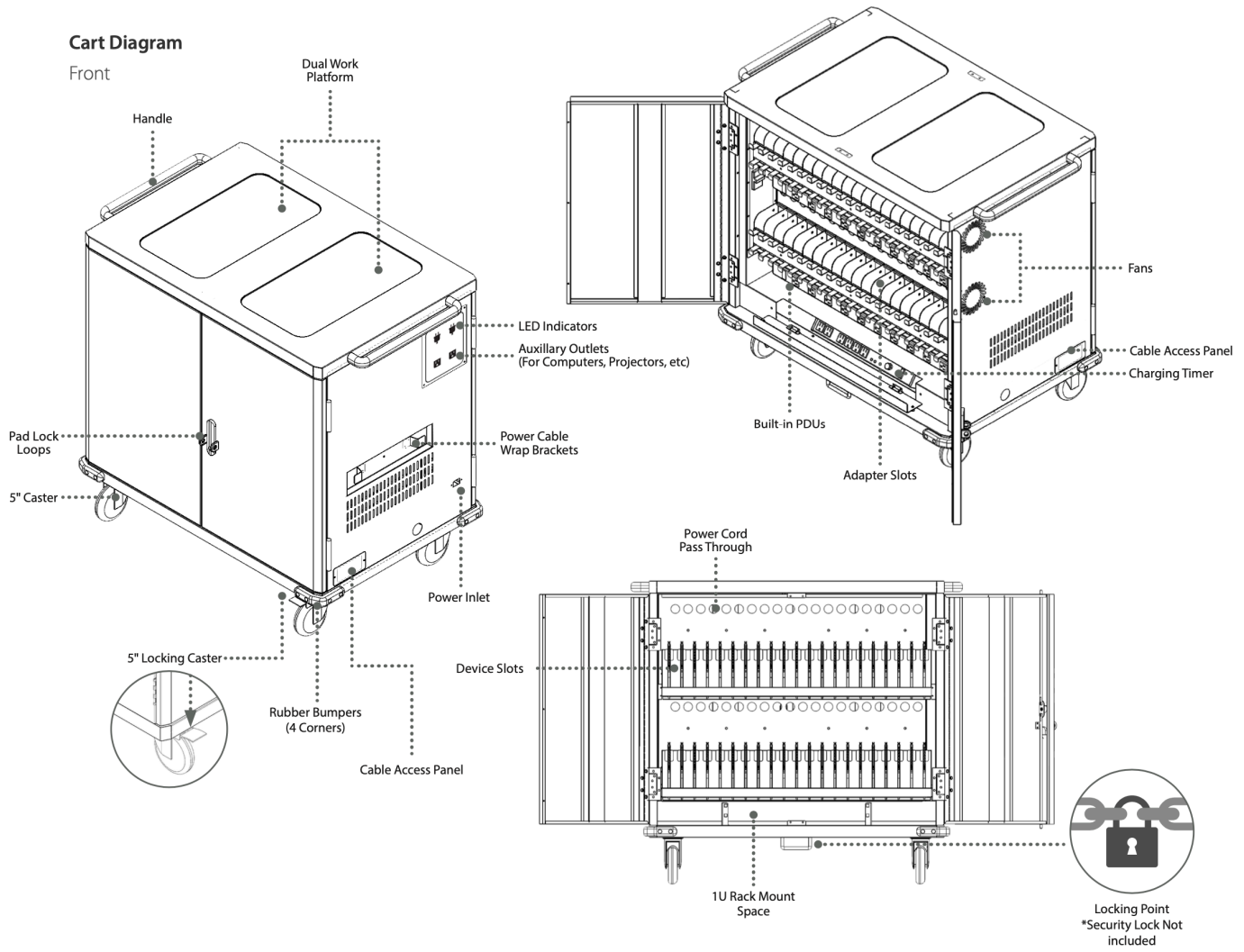


Rack Mounting Hardware

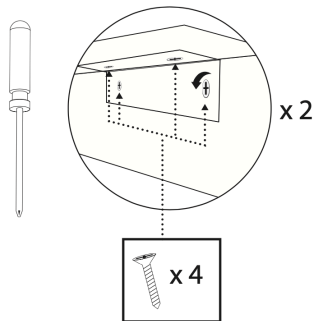


Cart Diagram

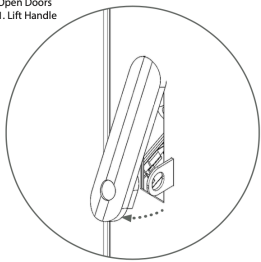
Front



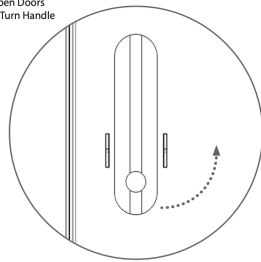
Remove from pallet



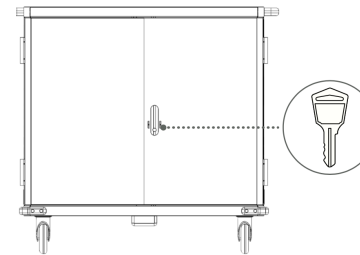
Open Doors
1. Lift Handle



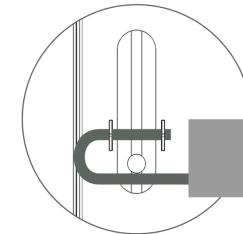
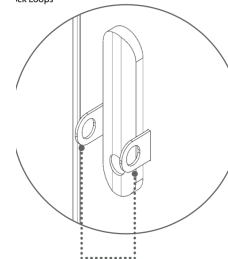
Open Doors
2. Turn Handle



or Locks
1/Back



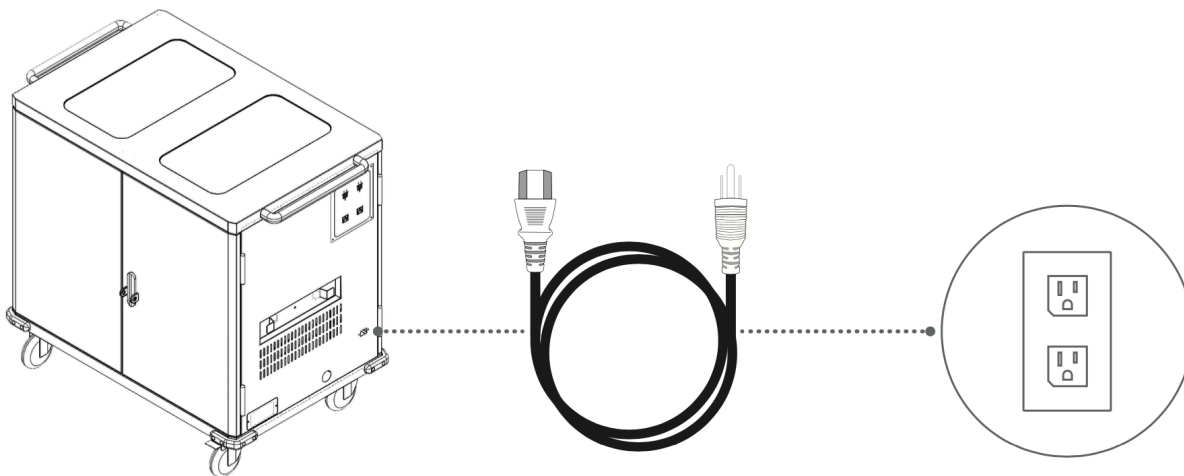
Lock Loops



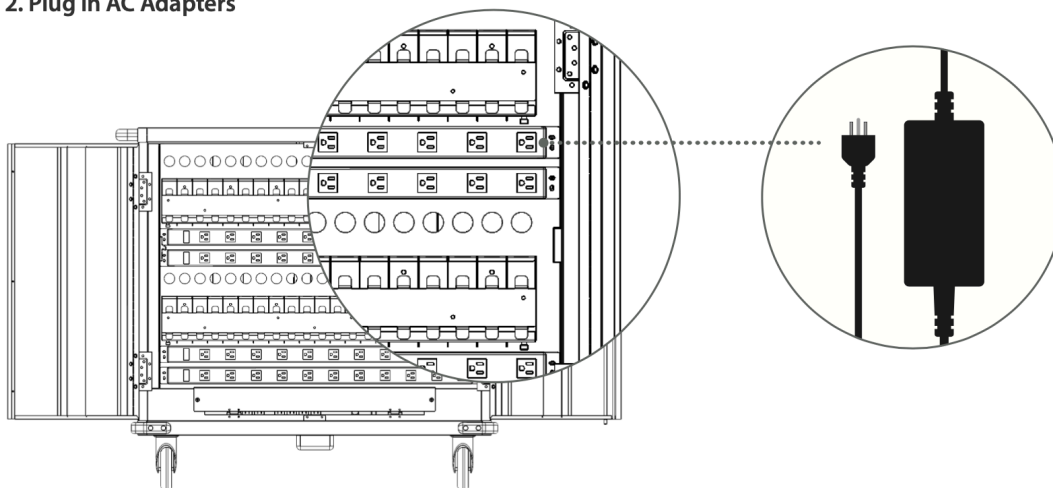

BRAVOUR
STAND OUT & IMPRESS

2 SETUP

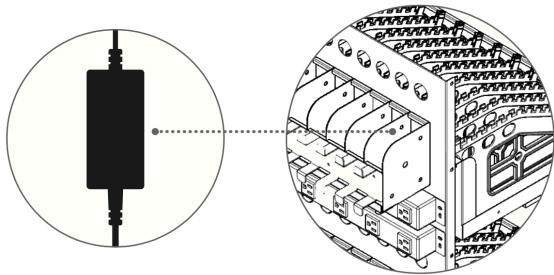
1. Plug cart into outlet



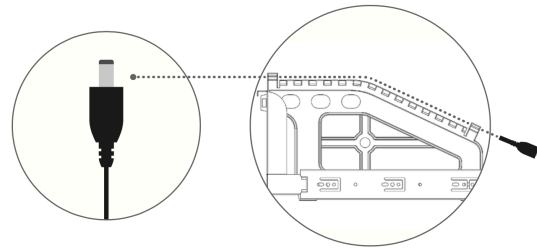
2. Plug in AC Adapters



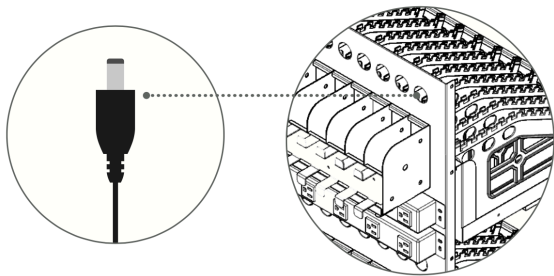
3. Place adapters into slots



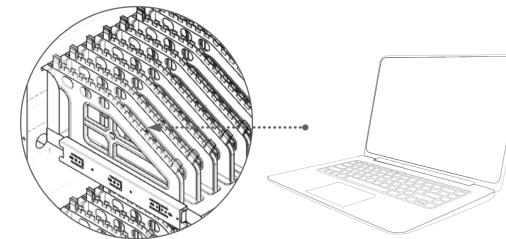
5. Place the adapter wires on the cable holder dividers



4. Insert the adapters through the pass through holes



6. Place the devices in the dividers



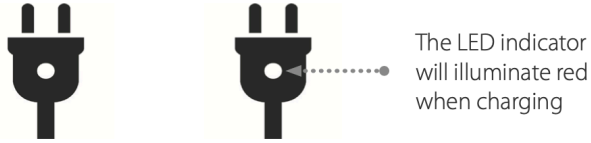

BRAVOUR
STAND OUT & IMPRESS

Charging System

Charging 30 to 40 devices at one time can overload a typical 15 amp circuit. Charge Carts are equipped with a built-in timing device that automatically switches the AC power supply from one half of the device outlets to the other, at specified intervals to help protect against overload.

The timer module will provide power to each set of 15 (for 30 device cart) or 20 (for 40 device cart) outlets for the amount of time indicated on the timer (default is set to 15 minutes). When that time expires, the cart will change power to the other set, and continue to alternate sides. Every time power is turned off and then restored to the cart, power starts with the first set.

The LED indicator on the outside of the cart will show you which set is currently charging.



The timer is factory-set on a 15-minute cycle. Devices with fully depleted batteries will require more than one cycle to fully charge.

Circuit Breaker:

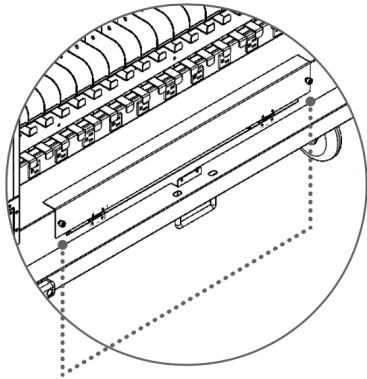
There is a circuit breaker on the cart. If there is no power to internal and external outlets, check to see if the circuit breaker is tripped.

Adjusting the Timer (Optional for advanced users):

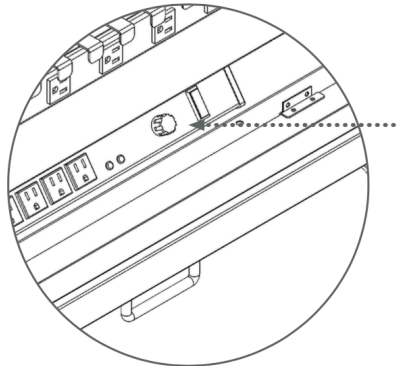
Adjust the timer to the amount of minutes you want it to cycle. The 15 minute cycle should be optimum for most applications and we don't recommend adjustment. If adjustment is required, it should be done by a qualified technician. The timer range is from 15 to 240 minutes. You can also set it to the ON position which will make all the outlets on.

Note: be careful not to overload the circuit.

1. Unscrew the panel

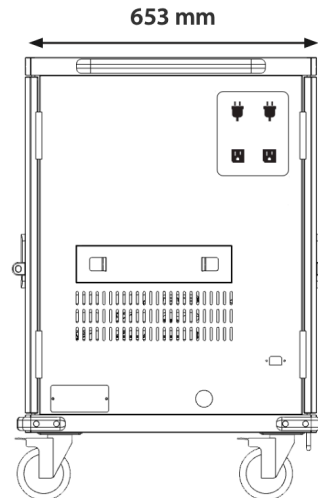
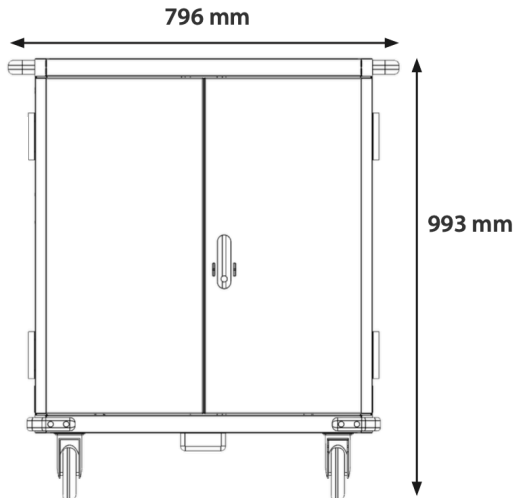


2. Adjust timer as needed



3 TECHNICAL SPECS

Cart Dimensions



BRV30

Capacity	30 devices
Device size	up to 15"
Device slot dimensions	15 x 1.34 x 12.5 in (381 x 34 x 319 mm)
Power adapter slot dimensions	3.5 x 1.5 x 7.9 in (89 x 40 x 200 mm)
Power specifications	Input Voltage: 125VAC, 15A, 60HZ Output Voltage: 125VAC, 15A, 60HZ
Auxillary outlets	2
Charging system	Adjustable zone based timer
LED charge indicators	Yes
Security	Front and rear doors with keyed locks plus pad lock loops, and Locking point
Casters	Four 5" Swivel Casters (Two are locking)
Slide-out shelves	Yes
Device and cable management	Flexible device dividers with cable channels and numbered device slots on sliding shelves, numbered power adapter slots with cable management
Additional storage	Secure compartment with 1U of 19" rack mount space
Weight capacity (top of cart)	132.27 lbs (60 kg)
Cooling system	Ventilations slots and two switched fans
Safety/Compliance	ROHS, UL approved fans and power distribution units
Environment*	Operating: -10°C to 40°C Humidity: 20% to 80% RH Storage: -40°C to +60°C Humidity: 20% to 90% RH
Product dimensions	31.34 x 25.71 x 39.09 in (796 x 653 x 993 mm)
Product weight	188 lbs (85 kg)
Package dimensions	35.43 x 28.07 x 45.08 in (900 x 713 x 1145 mm)
Package weight	202.83 lbs (92 kg)
Warranty	2 years

